

Curtain wall Assembly

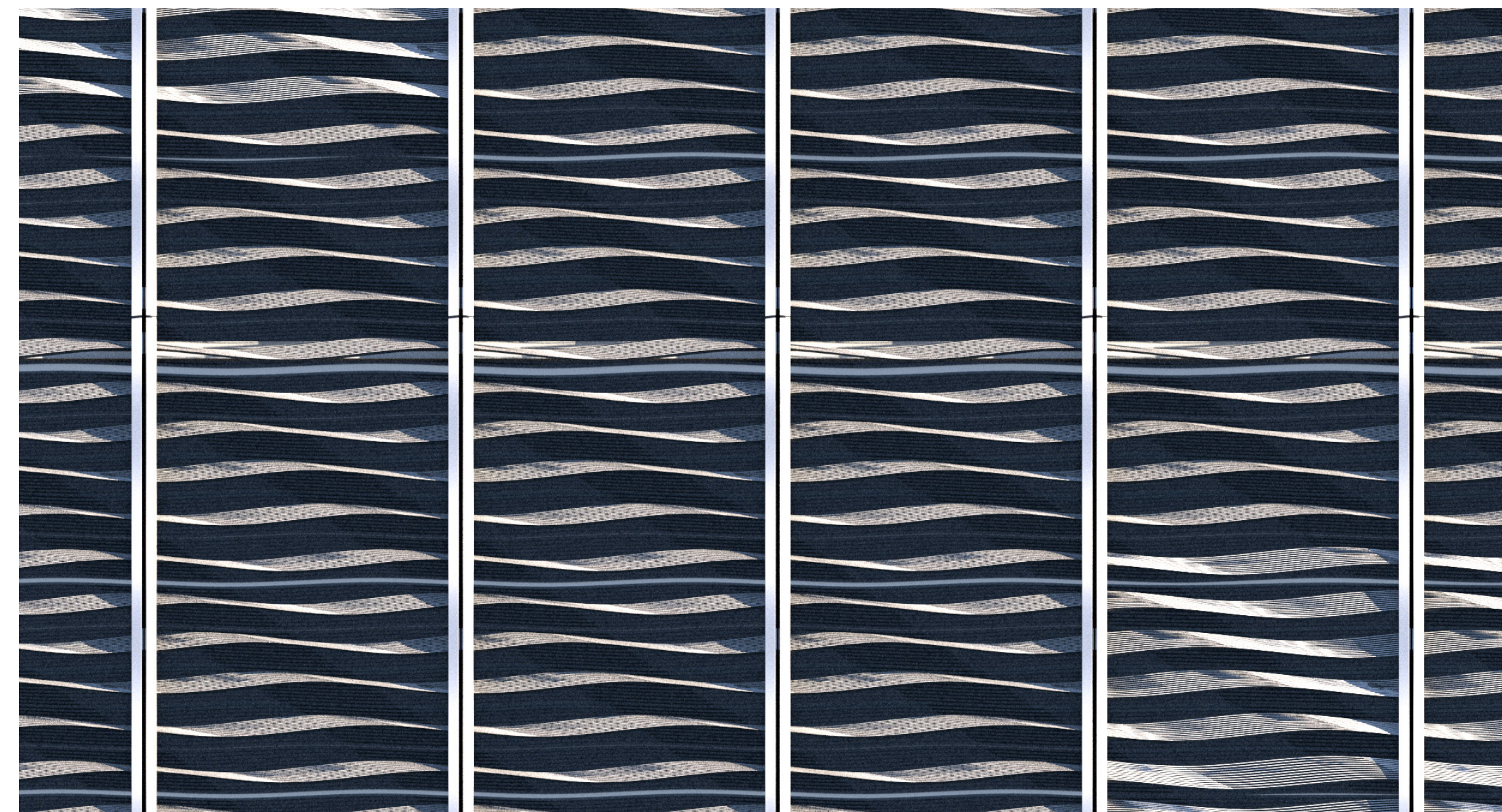
Glass Louver Assembly



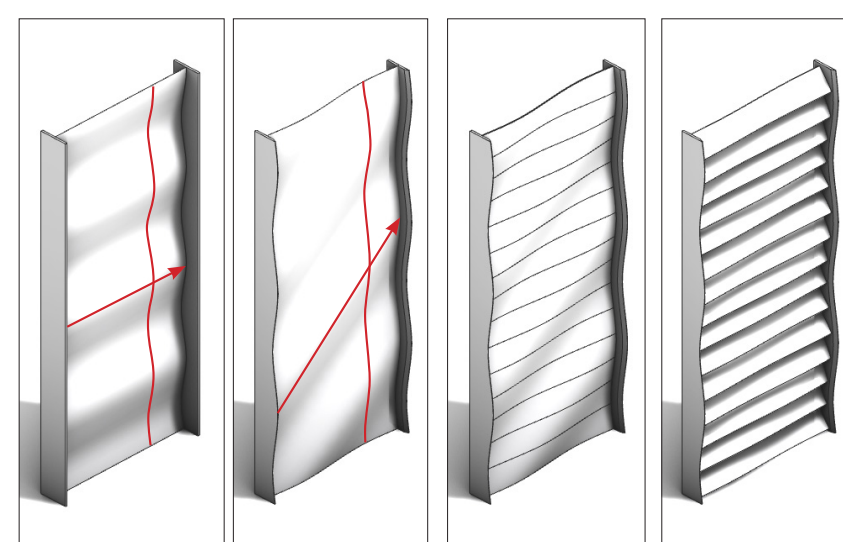
504 9th Ave, New York, New York



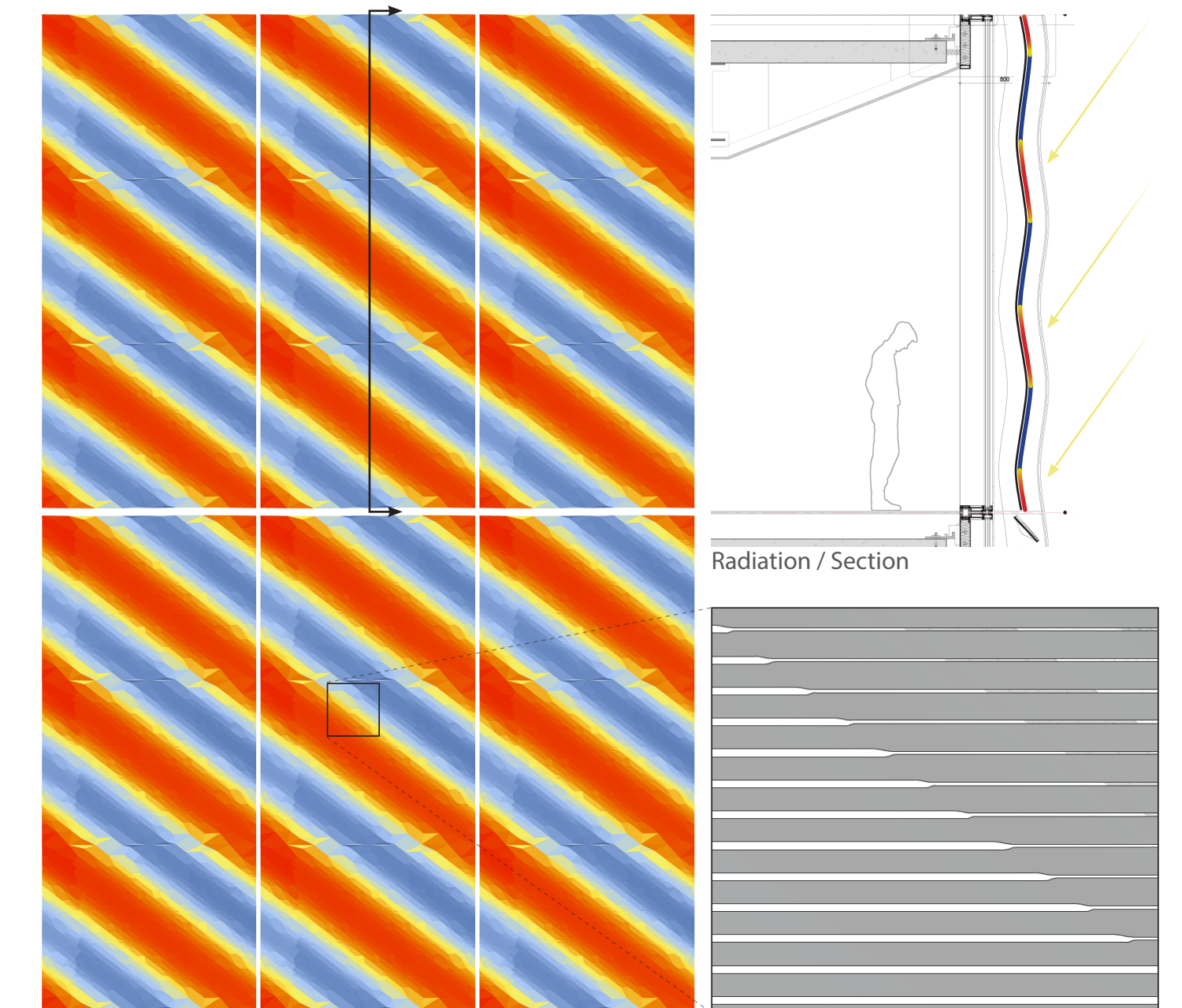
Perspective



Perspective from Ground Level

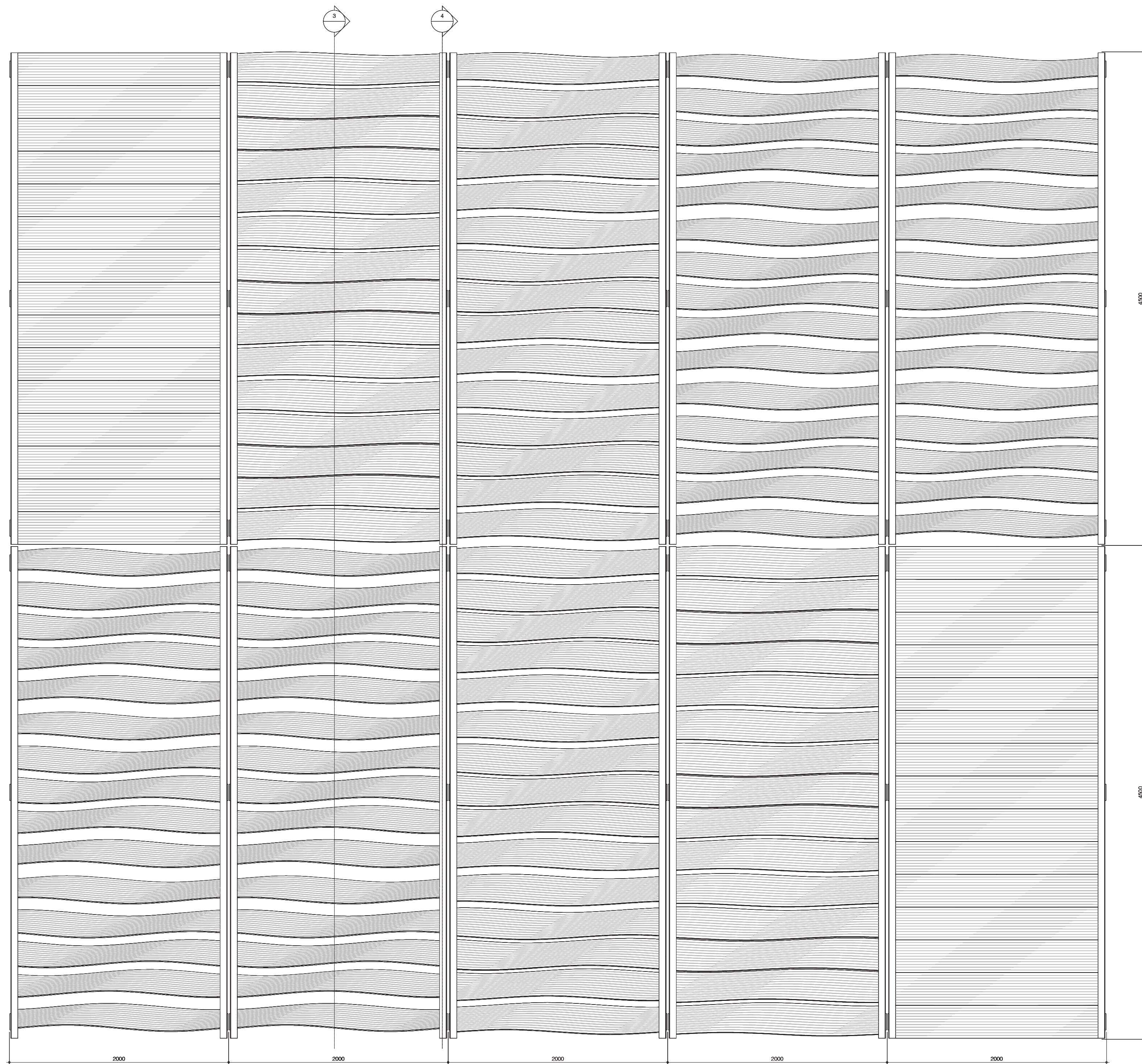


Form Making Process

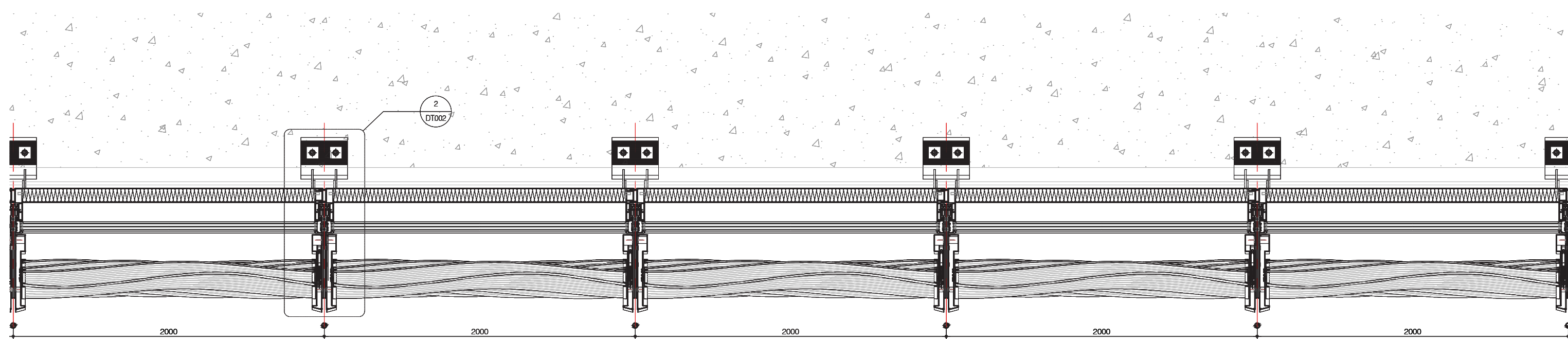


Annual Radiation / Elevation

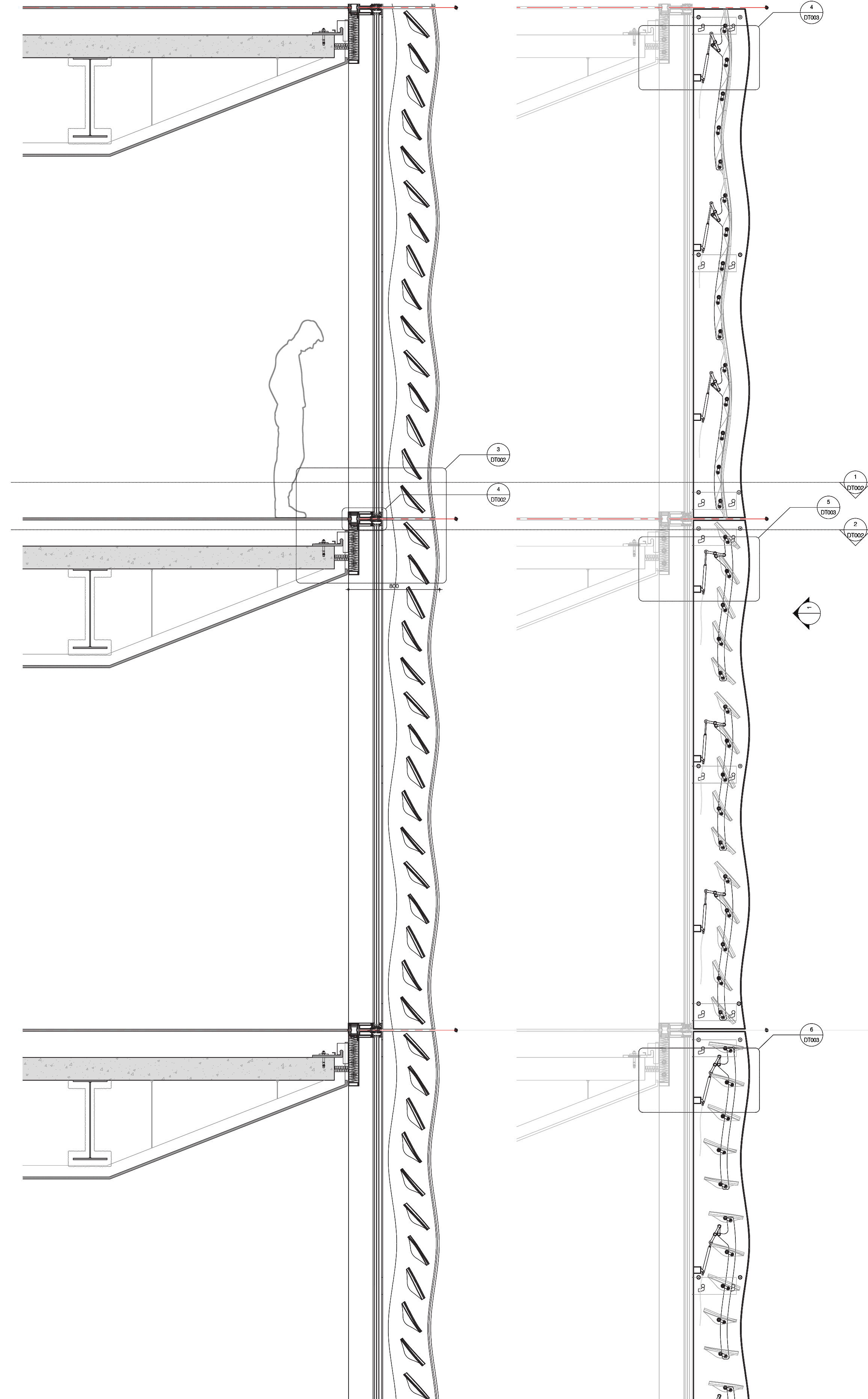
Frit Pattern on Glass Louver Fins



1 ELEVATION
1:25



2 TYP PLAN
1:25



3 TYP SECTION
1:25

4 GLASS LOUVER MECHANICAL SECTION
1:25

NOT FOR CONSTRUCTION

ISSUE NUMBER	ISSUE TITLE	ISSUE DATE

ADVANCED CURTAIN WALL

PROJECT
504 9TH AVE, NEW YORK, NY

TITLE
ROADMAP

DATE
DEC 11, 2021

SCALE
AS NOTED

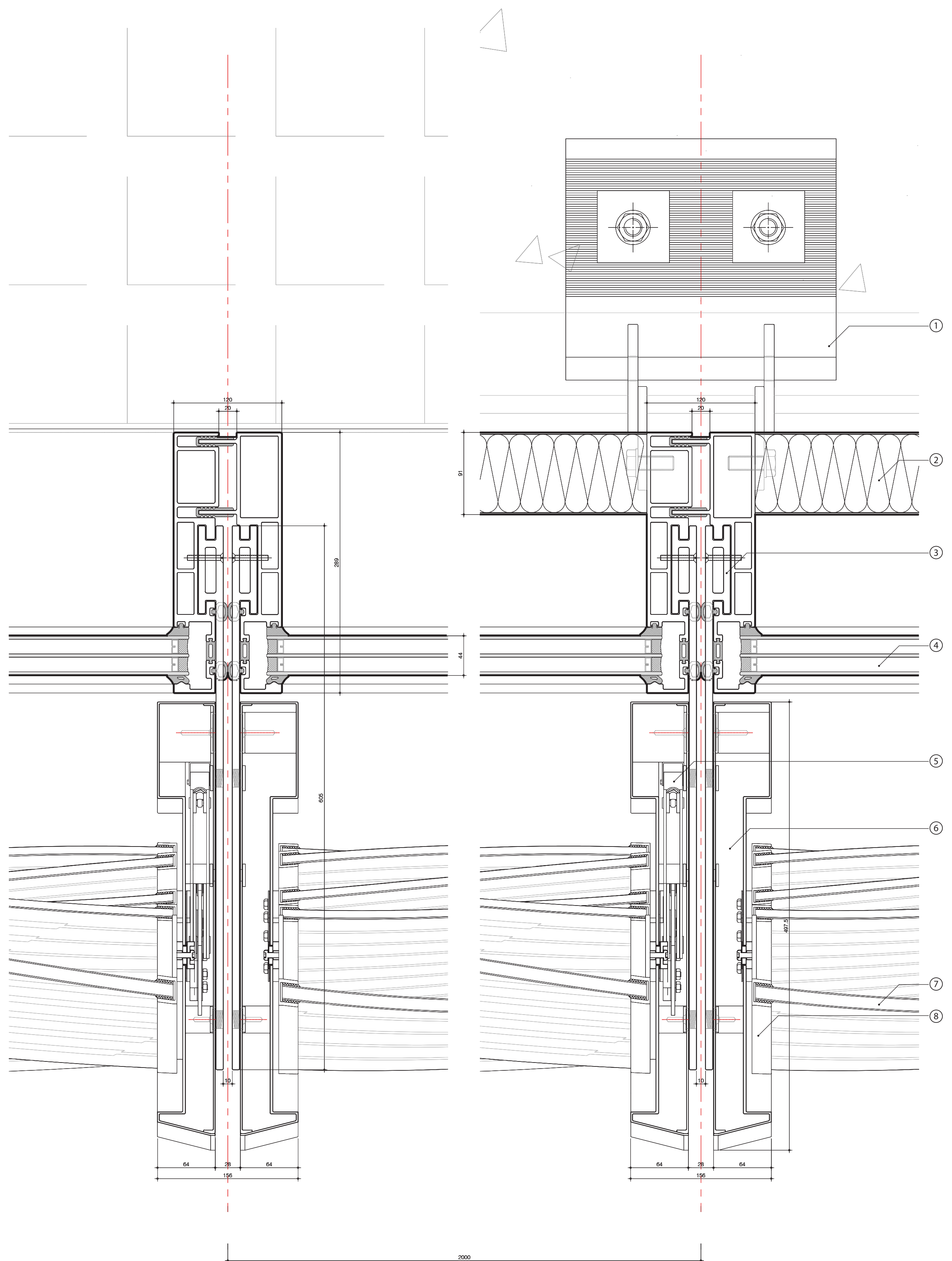
PROJECT NUMBER

DRAWN BY
JIN NOH

DRAWING NUMBER
DT001

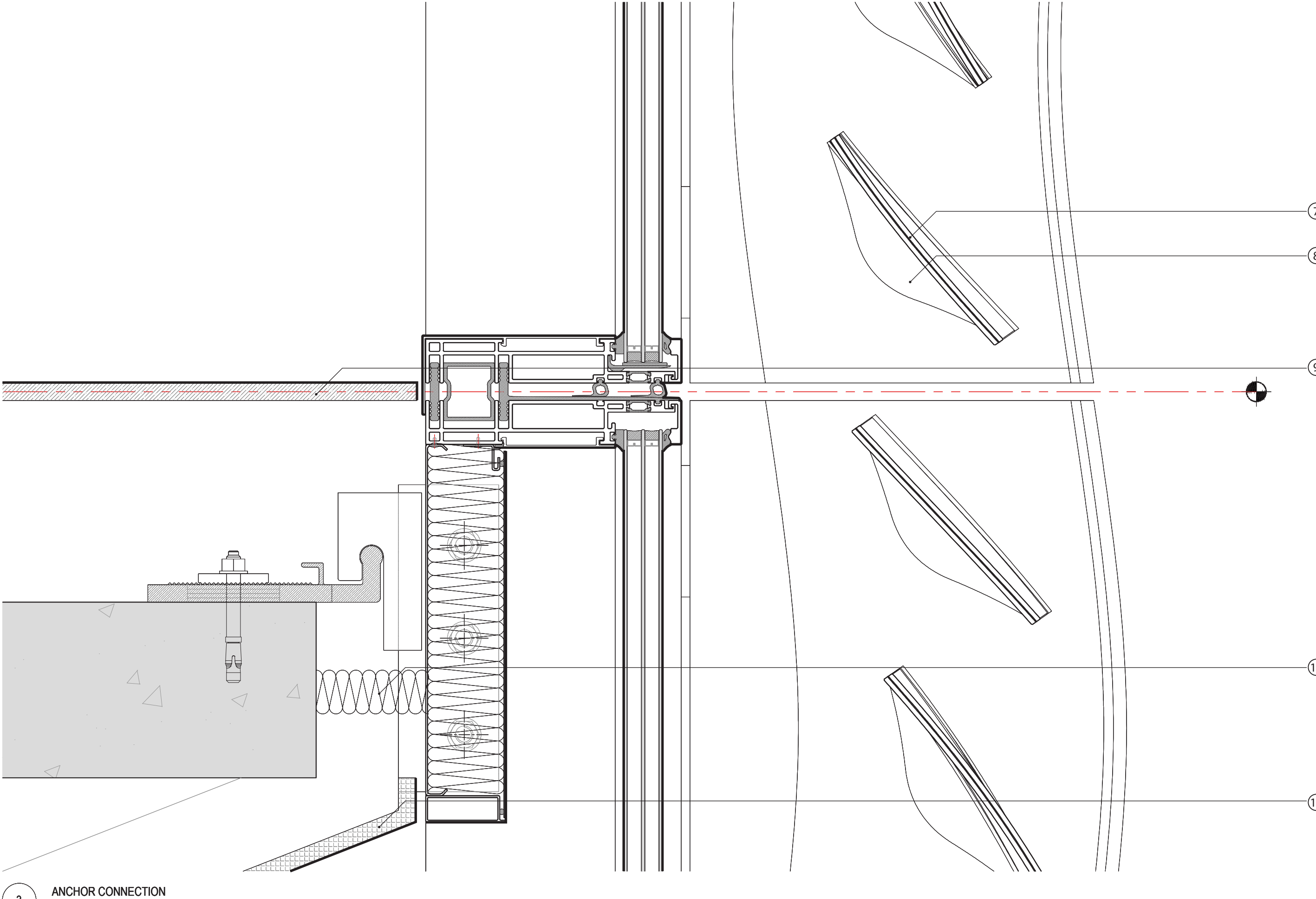
NOT FOR CONSTRUCTION

- ① ANCHOR PLATE
- ② INSULATION
- ③ LOUVER BRACKET
- ④ TRIPLE GLAZED IGU
- ⑤ LINEAR ACTUATOR
- ⑥ ACTUATOR HOUSING
- ⑦ LAMINATED / FROSTED GLASS LOUVER
- ⑧ METAL GLASS FIN HOLDER
- ⑨ RAISED FLOOR
- ⑩ SMOKE SEAL
- ⑪ CEILING

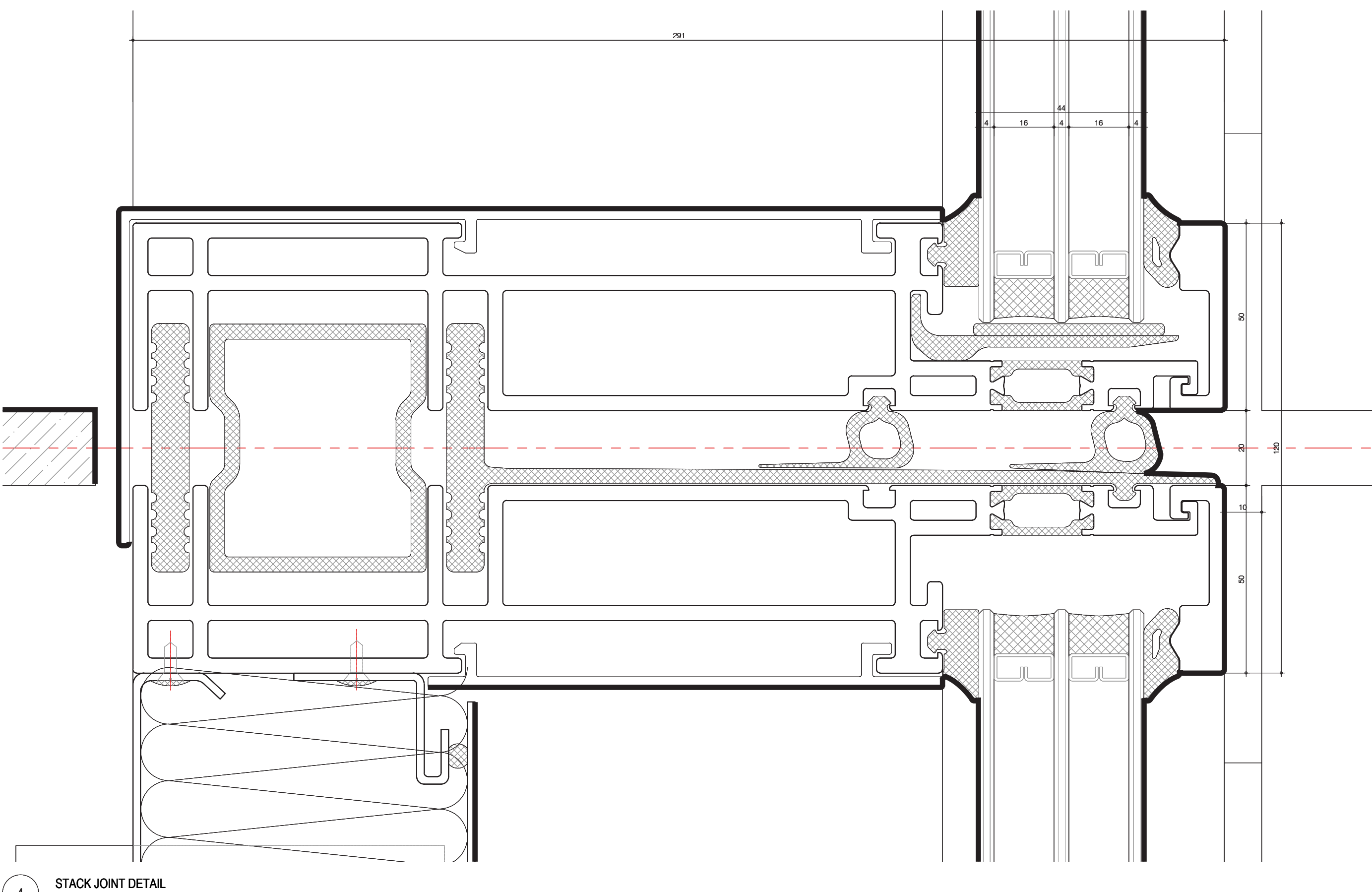


1 MULLION DETAIL 1:3

2 MULLION DETAIL 1:3



3 ANCHOR CONNECTION 1:4



4 STACK JOINT DETAIL 1:1

ISSUE NUMBER	ISSUE TITLE	ISSUE DATE
--------------	-------------	------------

ADVANCED CURTAIN WALL

PROJECT
504 9TH AVE, NEW YORK, NY

TITLE
JOINT DETAIL

DATE
DEC 11, 2021

SCALE
AS NOTED

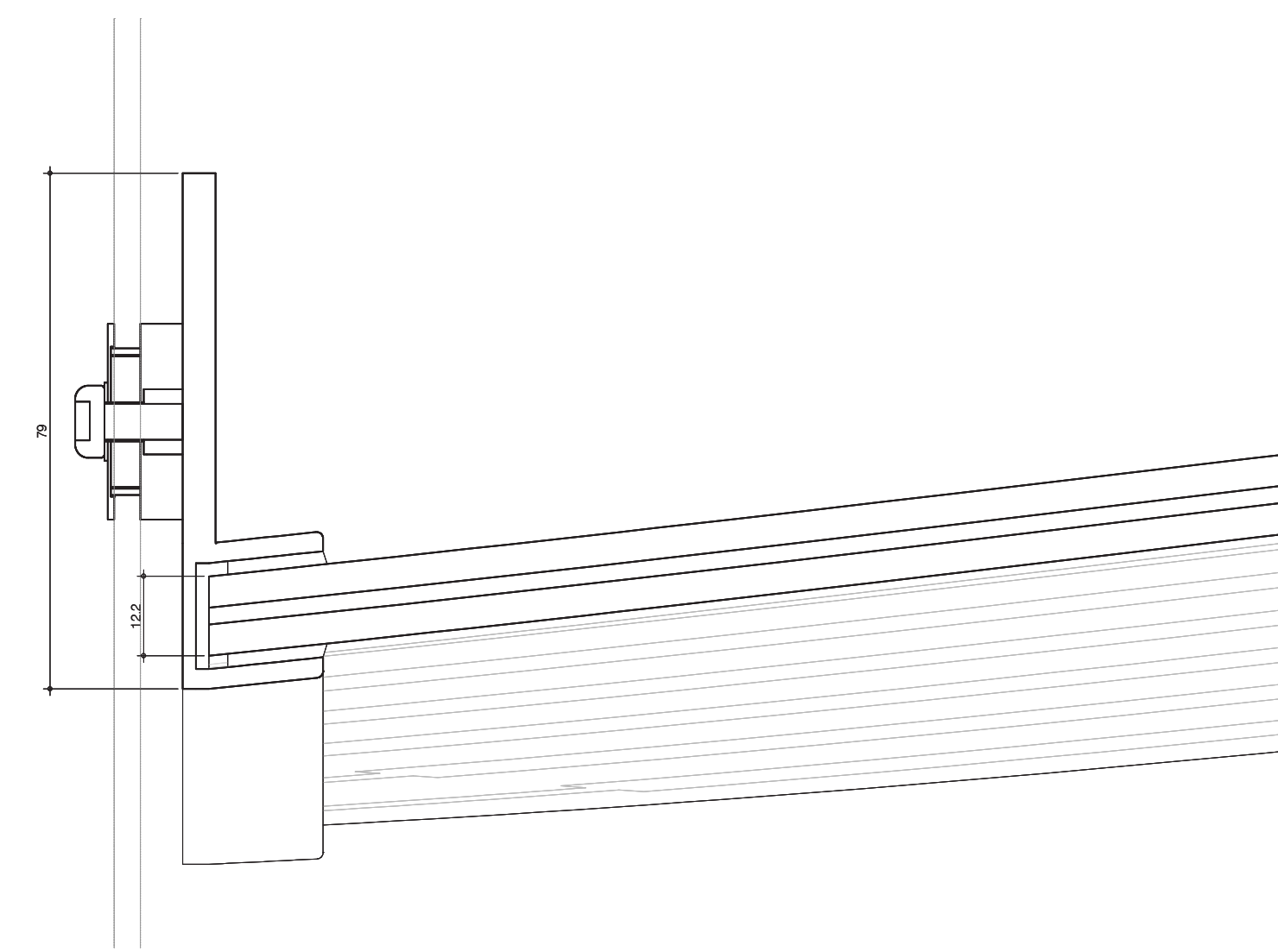
PROJECT NUMBER

DRAWN BY
JIN NOH

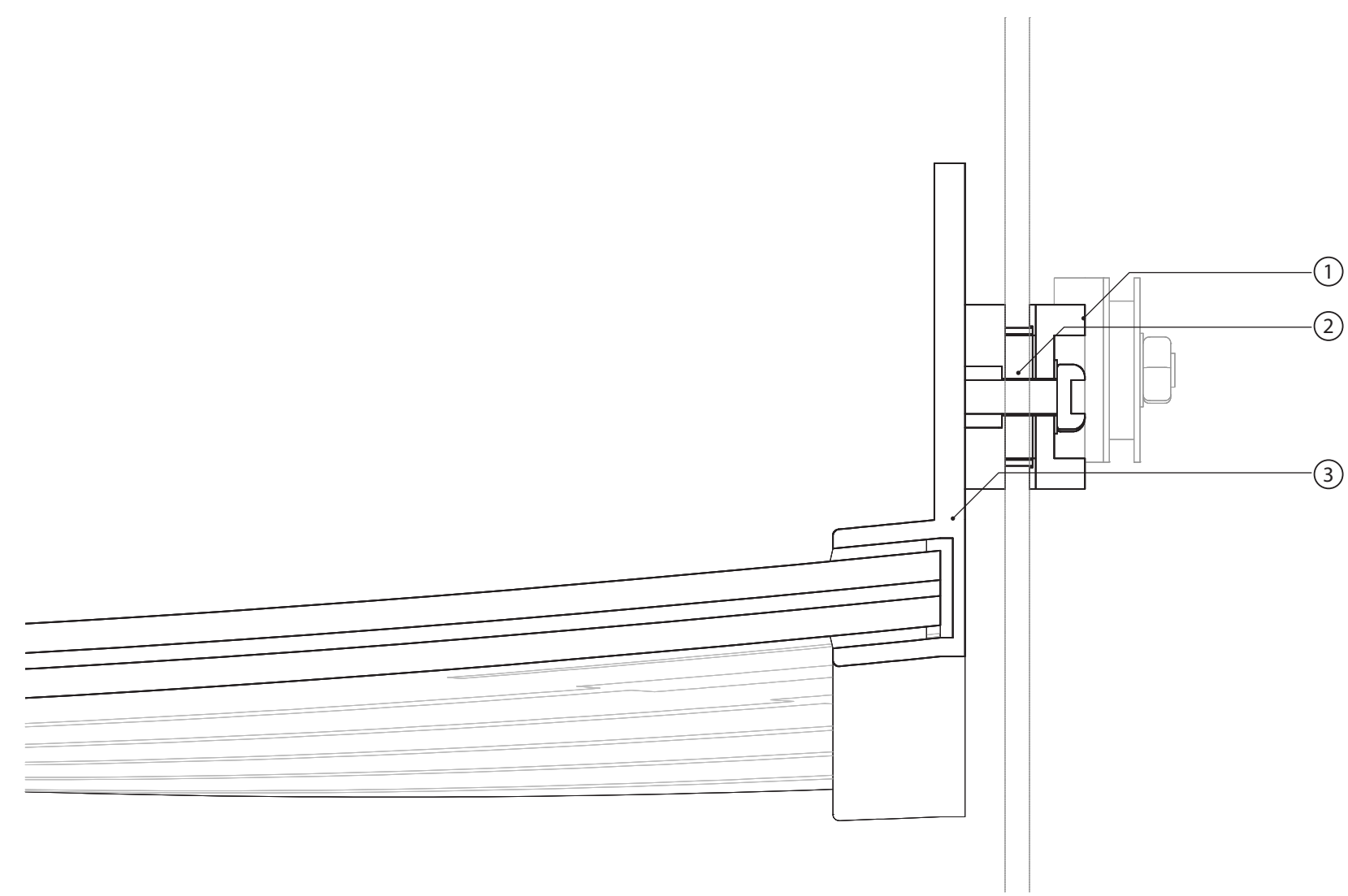
DRAWING NUMBER
DT002



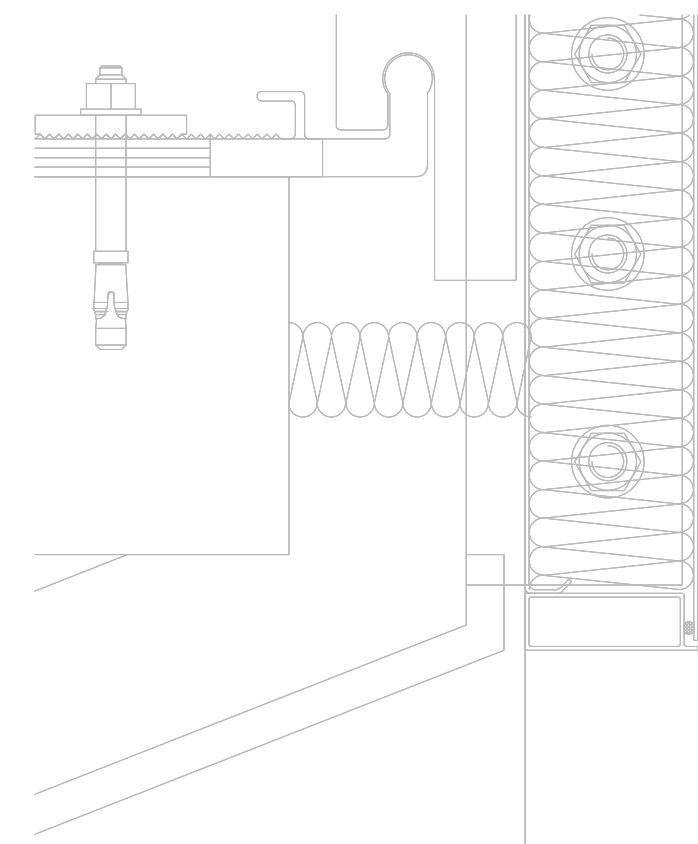
1 GLASS LOUVER ELEVATION
1/5



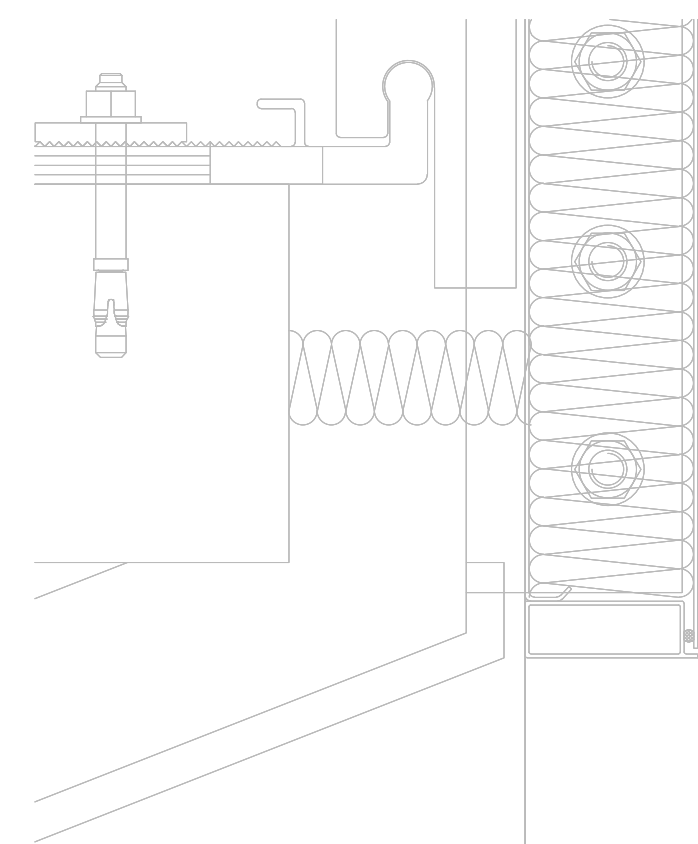
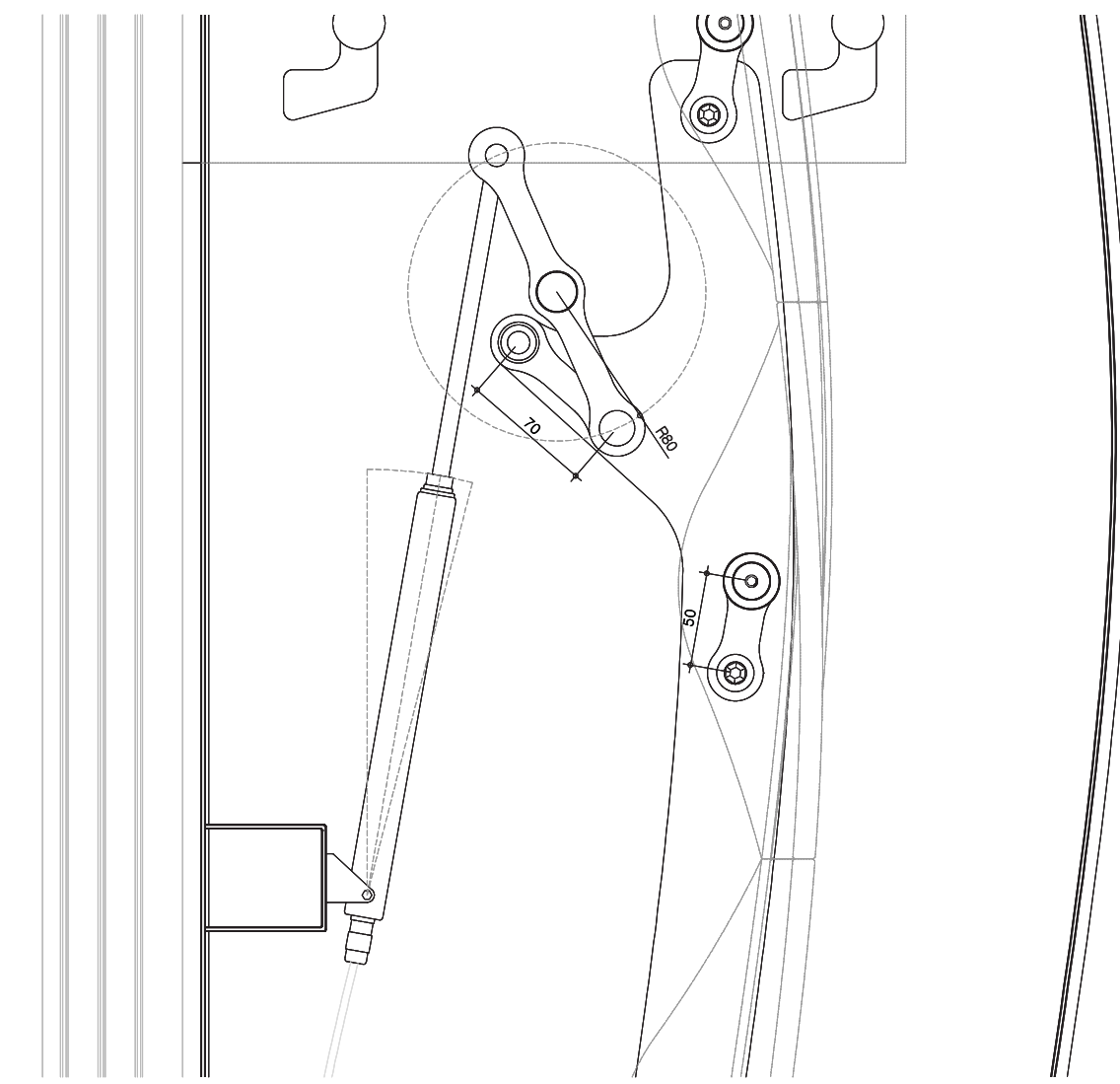
2 GLASS LOUVER DETAIL - NON DRIVING SIDE
1:1



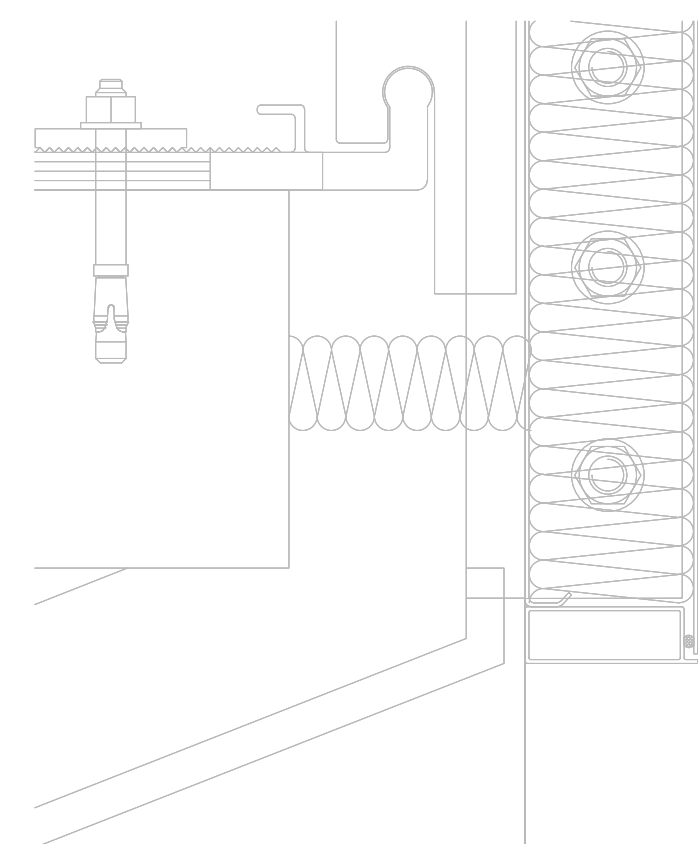
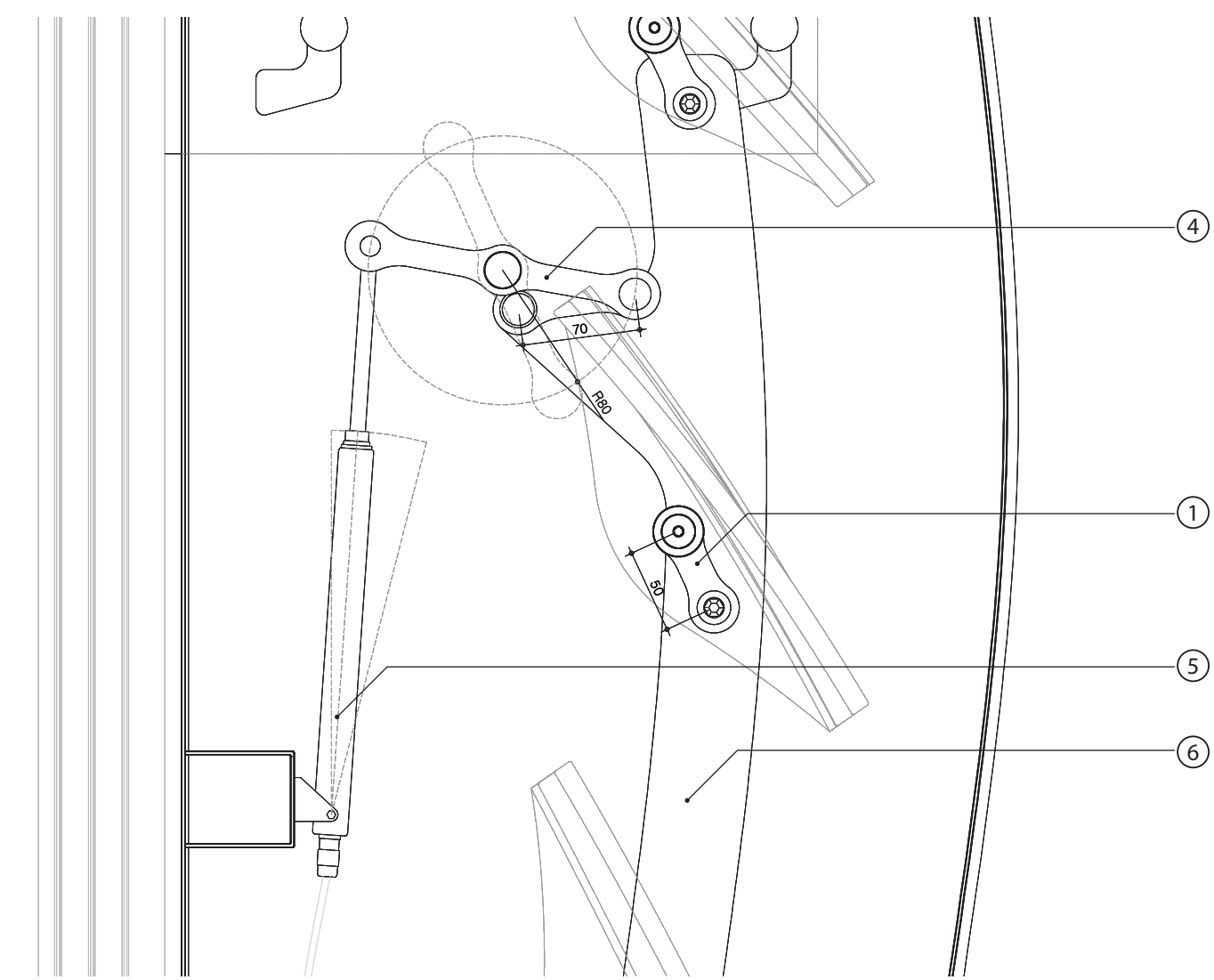
3 GLASS LOUVER DETAIL - DRIVING SIDE
1:1



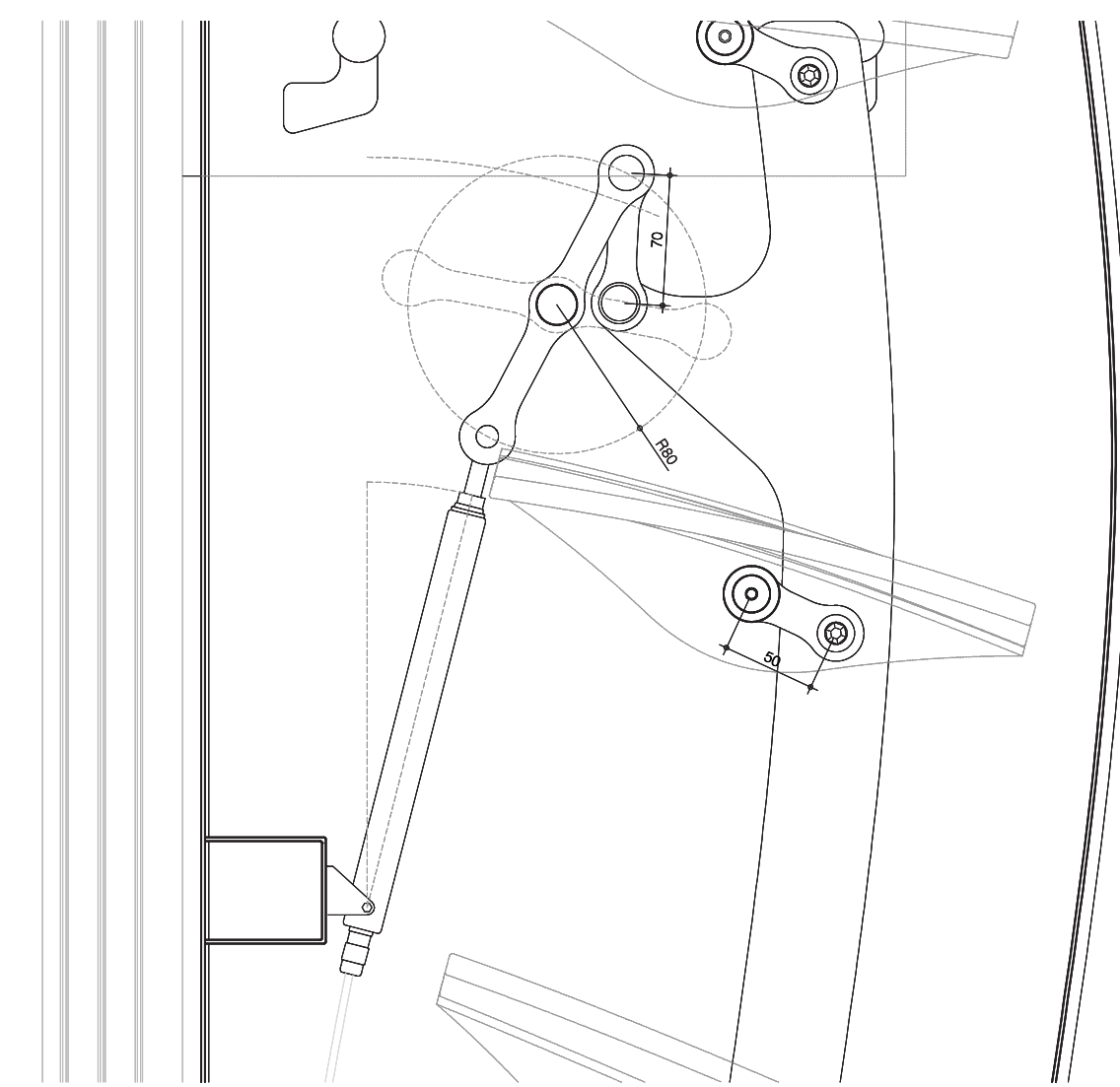
4 LOUVER MECHANISM DETAIL - 0 DEGREES (MIN)
1/4



5 LOUVER MECHANISM DETAIL - 35 DEGREES
1/4



6 LOUVER MECHANISM DETAIL - 75 DEGREES (MAX)
1/4



NOT FOR CONSTRUCTION

- 1 CAM
- 2 ALUMINUM BEARING
- 3 METAL GLASS FIN HOLDER
- 4 ACTUATOR - ARM CAM
- 5 LINEAR ACTUATOR
- 6 ACTUATOR LINKAGE ARM

ISSUE NUMBER	ISSUE TITLE	ISSUE DATE

ADVANCED CURTAIN WALL

PROJECT
504 9TH AVE, NEW YORK, NY

TITLE
MECHANICAL LOUVER DETAIL

DATE
DEC 11, 2021

SCALE
AS NOTED

PROJECT NUMBER

DRAWN BY
JIN NOH

DRAWING NUMBER
DT003