

17

## NUGGETS

GROUP #17  
ARCHA 4114\_001\_2021

### PROJECT TEAM

SAMUEL BAGER  
ALEX HE  
JULIE KIM  
CHARLIE LIU  
CHI CHI WAKABAYASHI

### CONSULTANTS

AKIKO KYEI-ABOAGYE  
JUSTIN STOLZE  
KENTON PHILLIPS  
RYAN DONAGHY

**PS64**  
RECONFIGURABLE  
TENSION

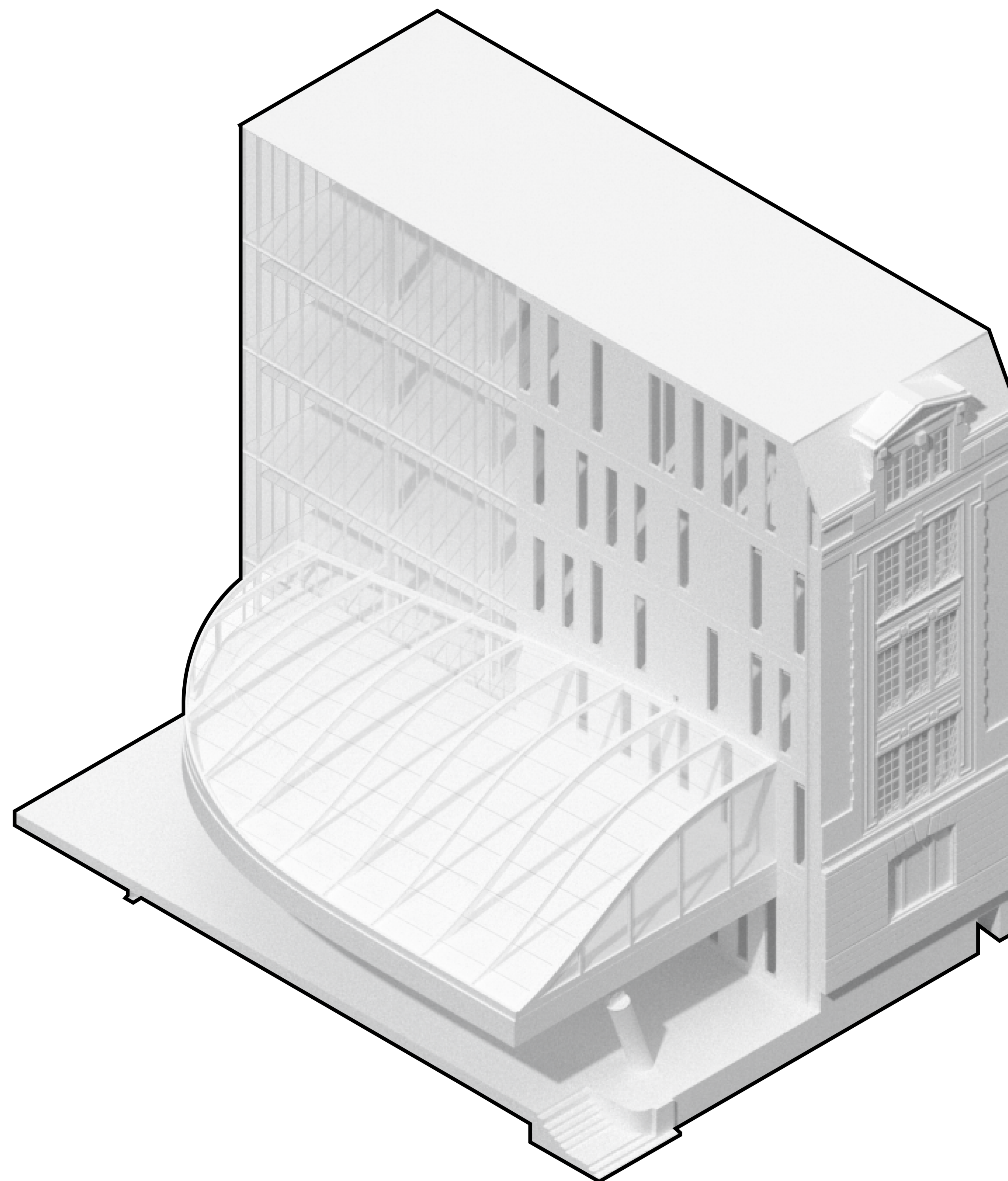
NOT FOR CONSTRUCTION

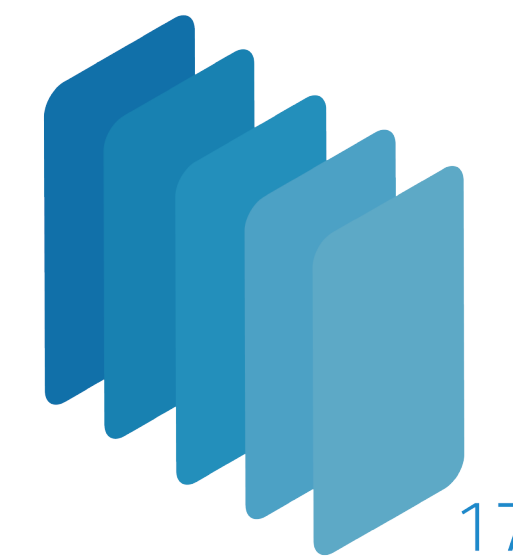
PROJECT NUMBER 001  
DATE DECEMBER 16, 2021

AXONOMETRIC  
OVERVIEW

**A001**

SCALE INSERT SCALE





**NUGGETS**

GROUP #17  
ARCHA 4114\_001\_2021

**PROJECT TEAM**

SAMUEL BAGER  
ALEX HE  
JULIE KIM  
CHARLIE LIU  
CHI CHI WAKABAYASHI

**CONSULTANTS**

AKIKO KYEI-ABOAGYE  
JUSTIN STOLZE  
KENTON PHILLIPS  
RYAN DONAGHY

**PS64  
RECONFIGURABLE  
TENSION**

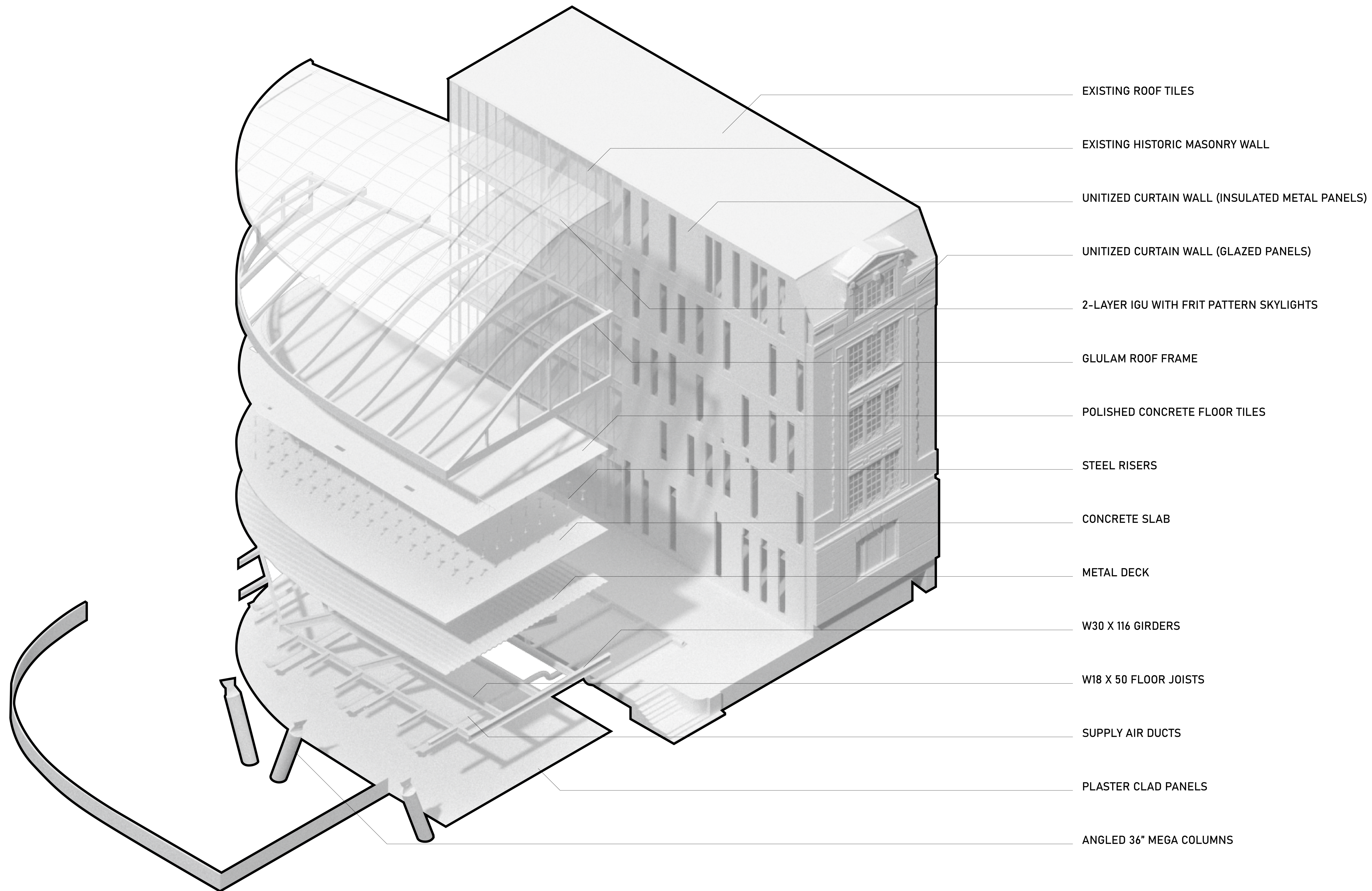
**NOT FOR CONSTRUCTION**

PROJECT NUMBER 001  
DATE DECEMBER 16, 2021

**EXPLODED  
AXONOMETRIC**

**A002**

SCALE INSERT SCALE



**NUGGETS**

GROUP #17  
ARCHA 4114\_001\_2021

**PROJECT TEAM**

SAMUEL BAGER  
ALEX HE  
JULIE KIM  
CHARLIE LIU  
CHI CHI WAKABAYASHI

**CONSULTANTS**

AKIKO KYEI-ABOAGYE  
JUSTIN STOLZE  
KENTON PHILLIPS  
RYAN DONAGHY

**PS64  
RECONFIGURABLE  
TENSION**

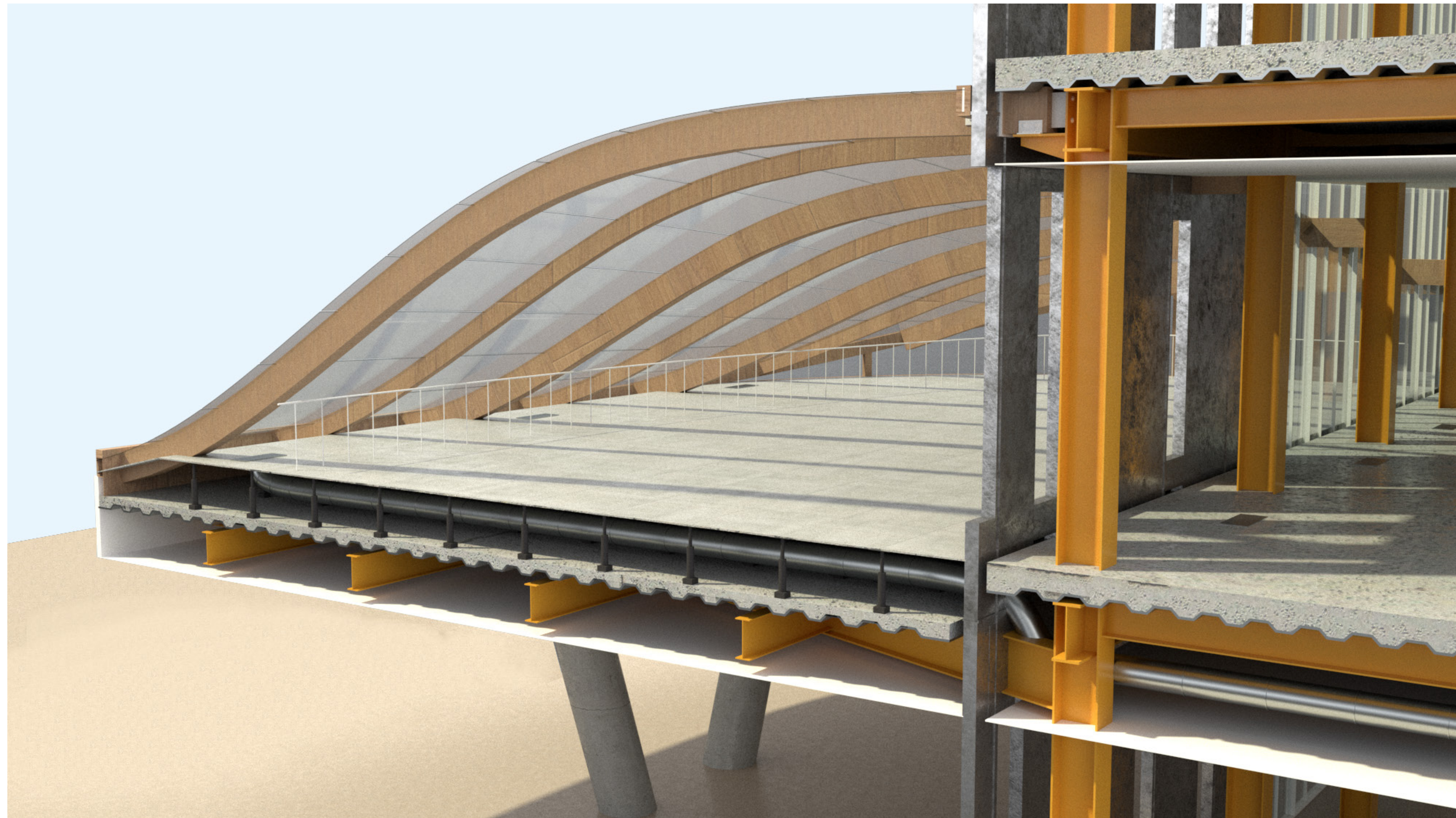
**NOT FOR CONSTRUCTION**

PROJECT NUMBER 001  
DATE DECEMBER 16, 2021

RENDERED  
VIEW\_001

**A003**

SCALE INSERT SCALE



**NUGGETS**

GROUP #17  
ARCHA 4114\_001\_2021

**PROJECT TEAM**

SAMUEL BAGER  
ALEX HE  
JULIE KIM  
CHARLIE LIU  
CHI CHI WAKABAYASHI

**CONSULTANTS**

AKIKO KYEI-ABOAGYE  
JUSTIN STOLZE  
KENTON PHILLIPS  
RYAN DONAGHY

**PS64  
RECONFIGURABLE  
TENSION**

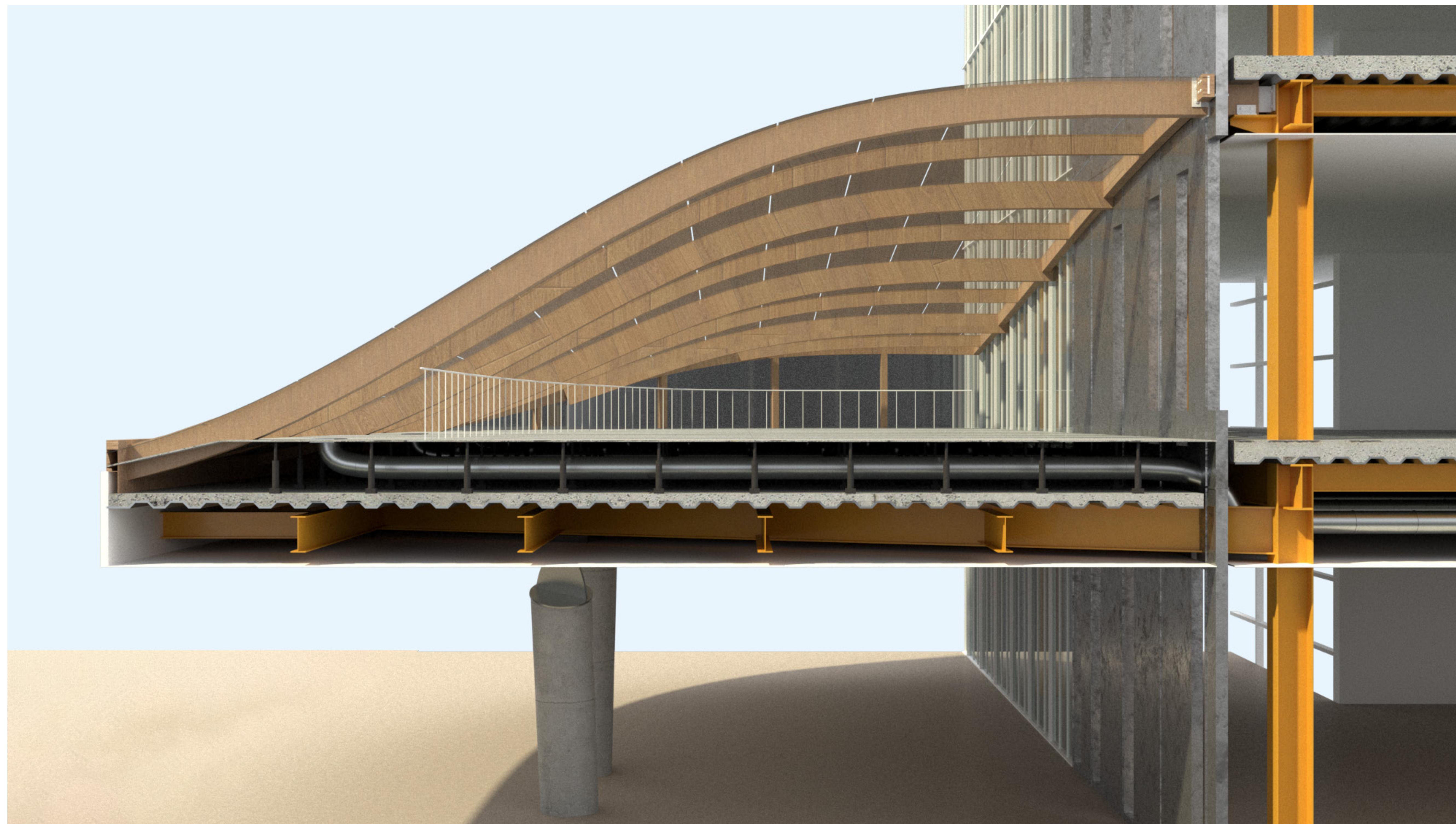
NOT FOR CONSTRUCTION

PROJECT NUMBER 001  
DATE DECEMBER 16, 2021

RENDERED  
VIEW\_002

**A004**

SCALE INSERT SCALE



**NUGGETS**

GROUP #17  
ARCHA 4114\_001\_2021

**PROJECT TEAM**

SAMUEL BAGGER  
ALEX HE  
JULIE KIM  
CHARLIE LIU  
CHI CHI WAKABAYASHI

**CONSULTANTS**

AKIKO KYEI-ABOAGYE  
JUSTIN STOLZE  
KENTON PHILLIPS  
RYAN DONAGHY

**PS64  
RECONFIGURABLE  
TENSION**

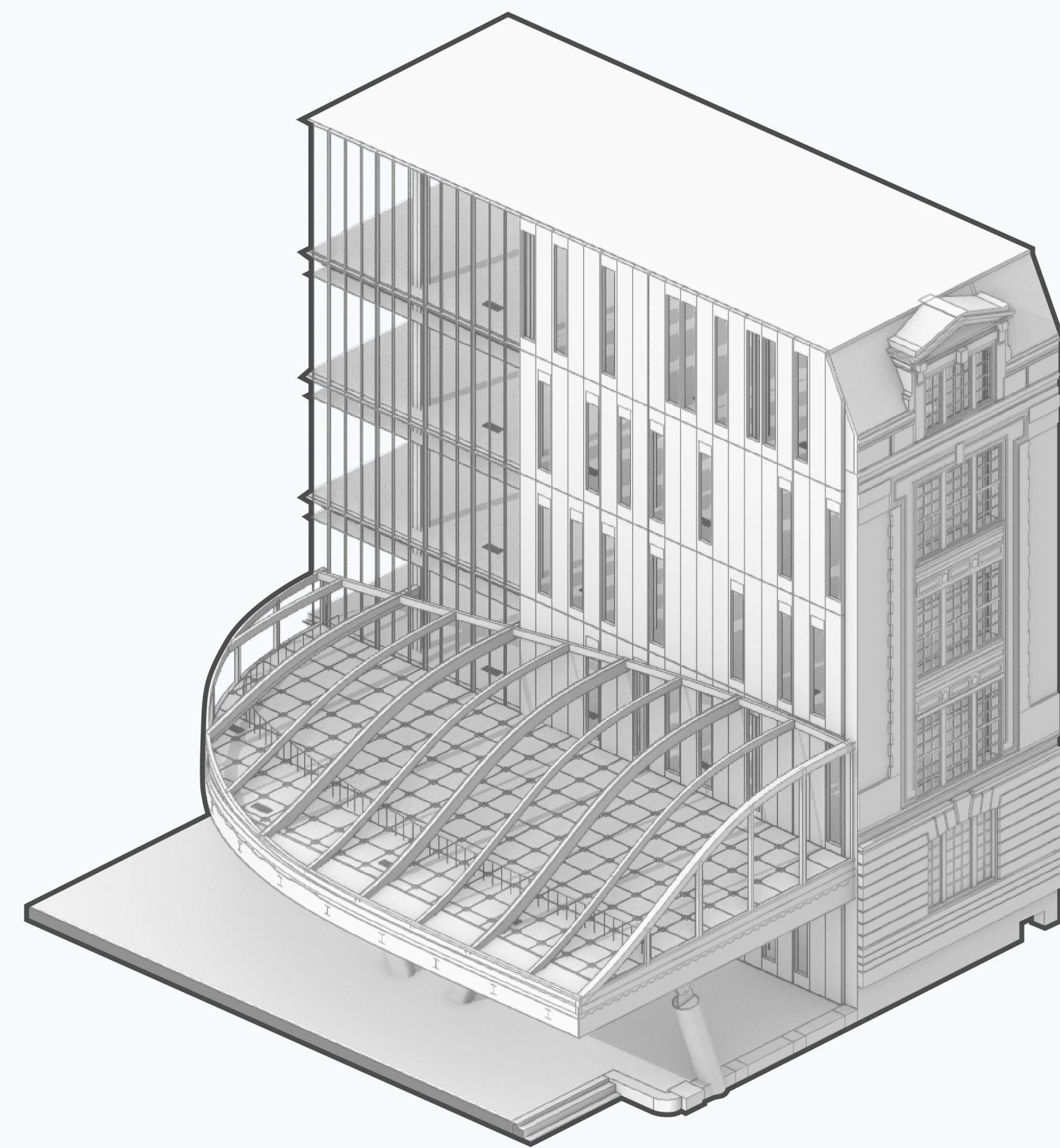
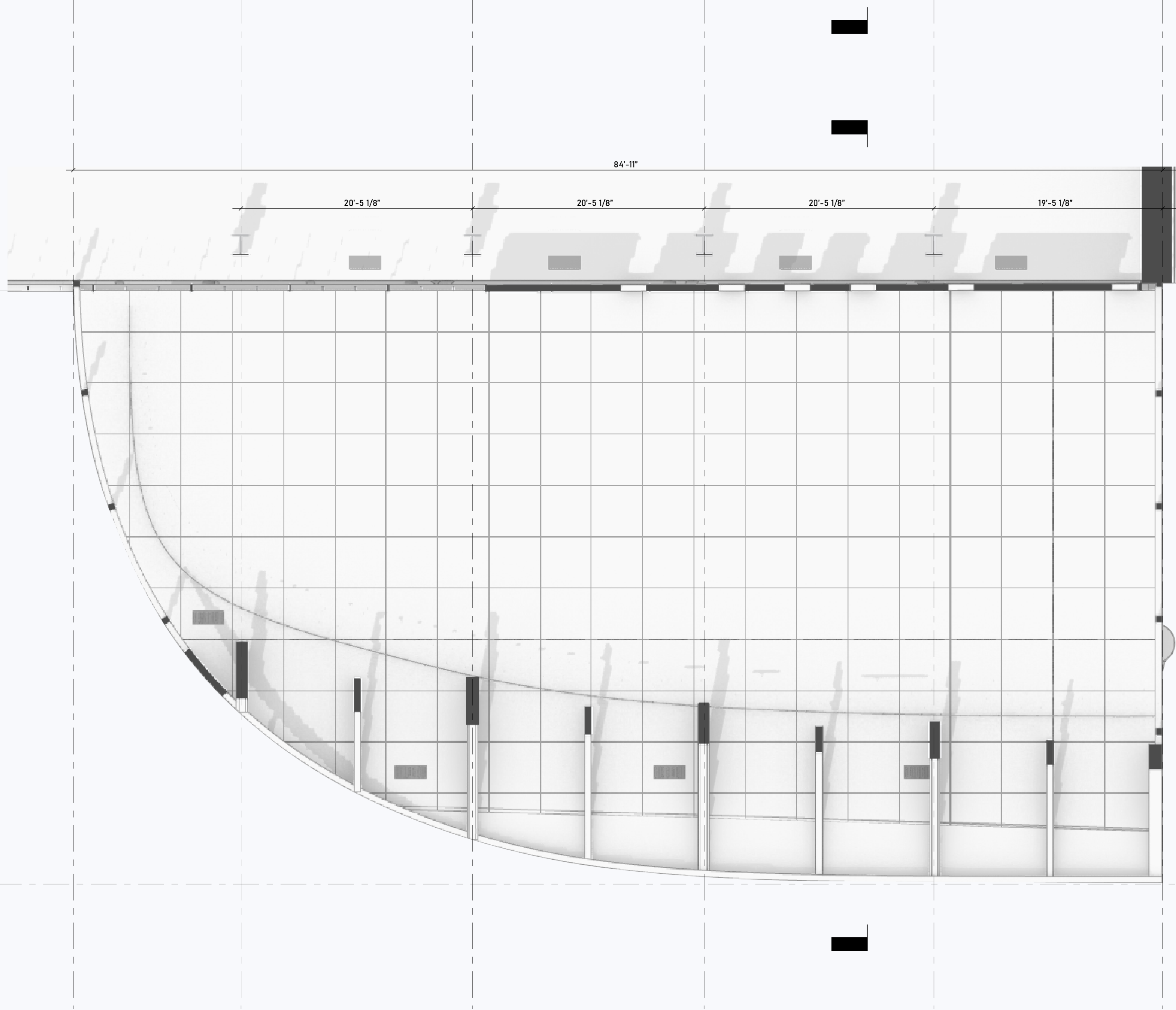
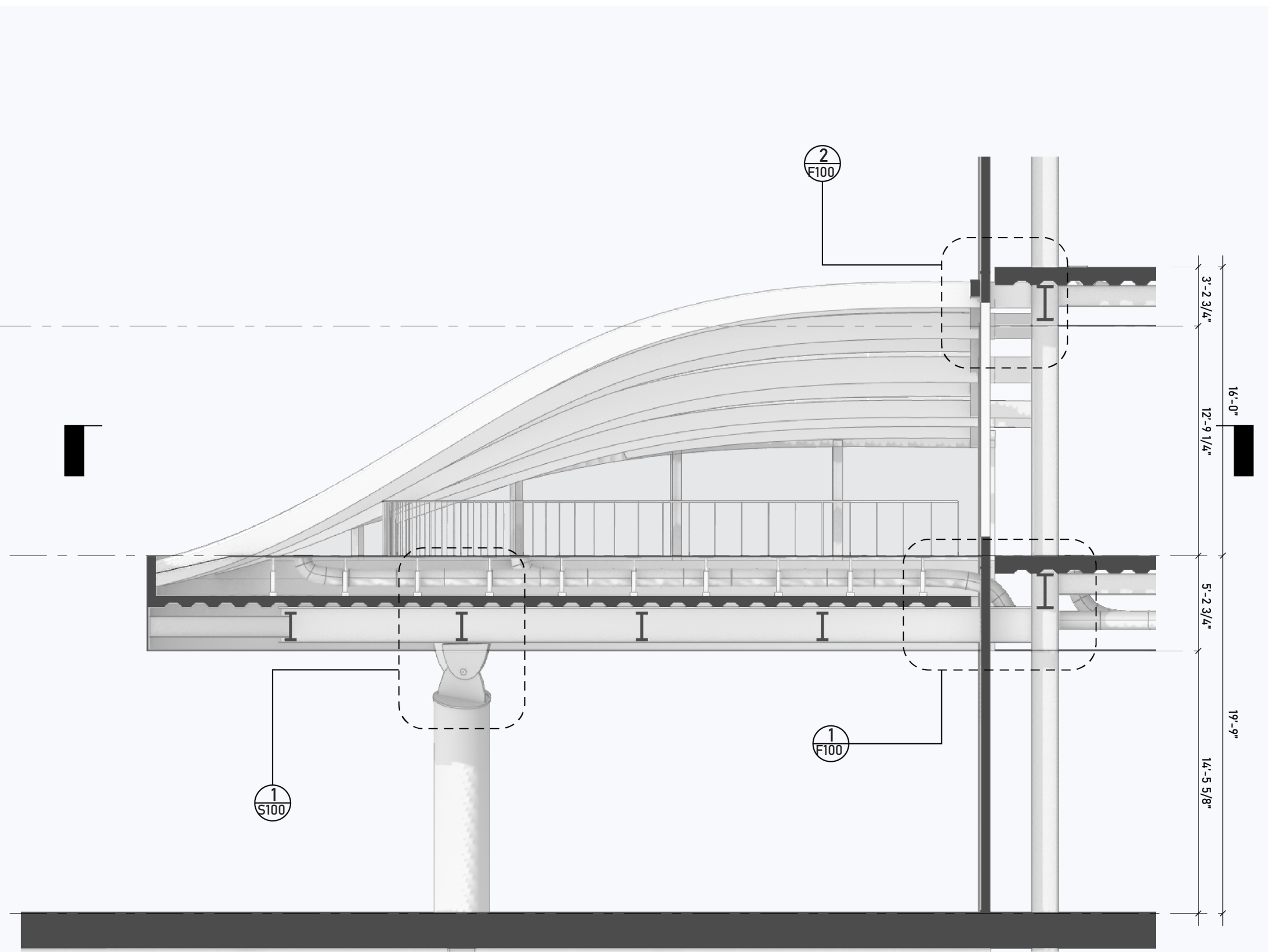
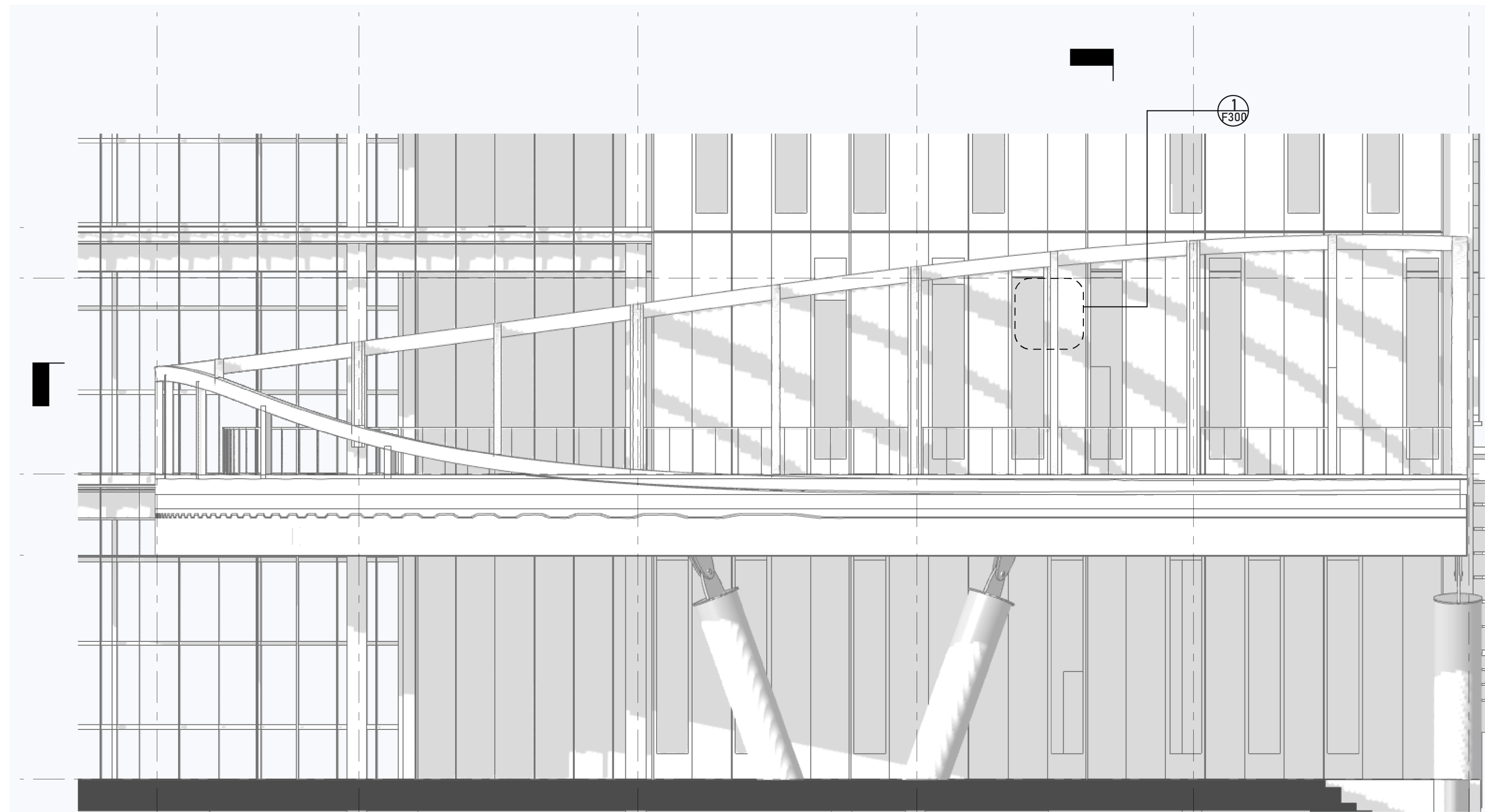
**NOT FOR CONSTRUCTION**

PROJECT NUMBER 001  
DATE DECEMBER 16, 2021

**POD ROADMAP  
OVERVIEW**

**A100**

SCALE INSERT SCALE



**NUGGETS**

GROUP #17  
ARCHA 4114\_001\_2021

**PROJECT TEAM**

SAMUEL BAGER  
ALEX HE  
JULIE KIM  
CHARLIE LIU  
CHI CHI WAKABAYASHI

**CONSULTANTS**

AKIKO KYEI-ABOAGYE  
JUSTIN STOLZE  
KENTON PHILLIPS  
RYAN DONAGHY

**PS64  
RECONFIGURABLE  
TENSION**

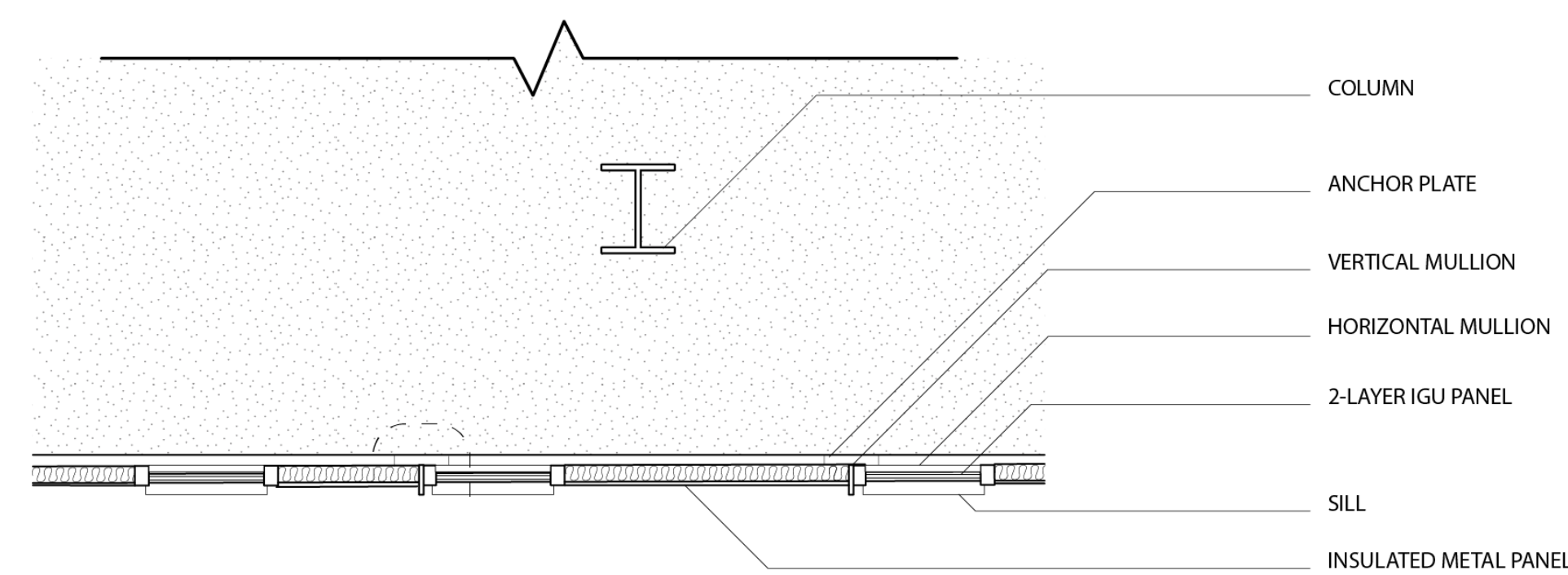
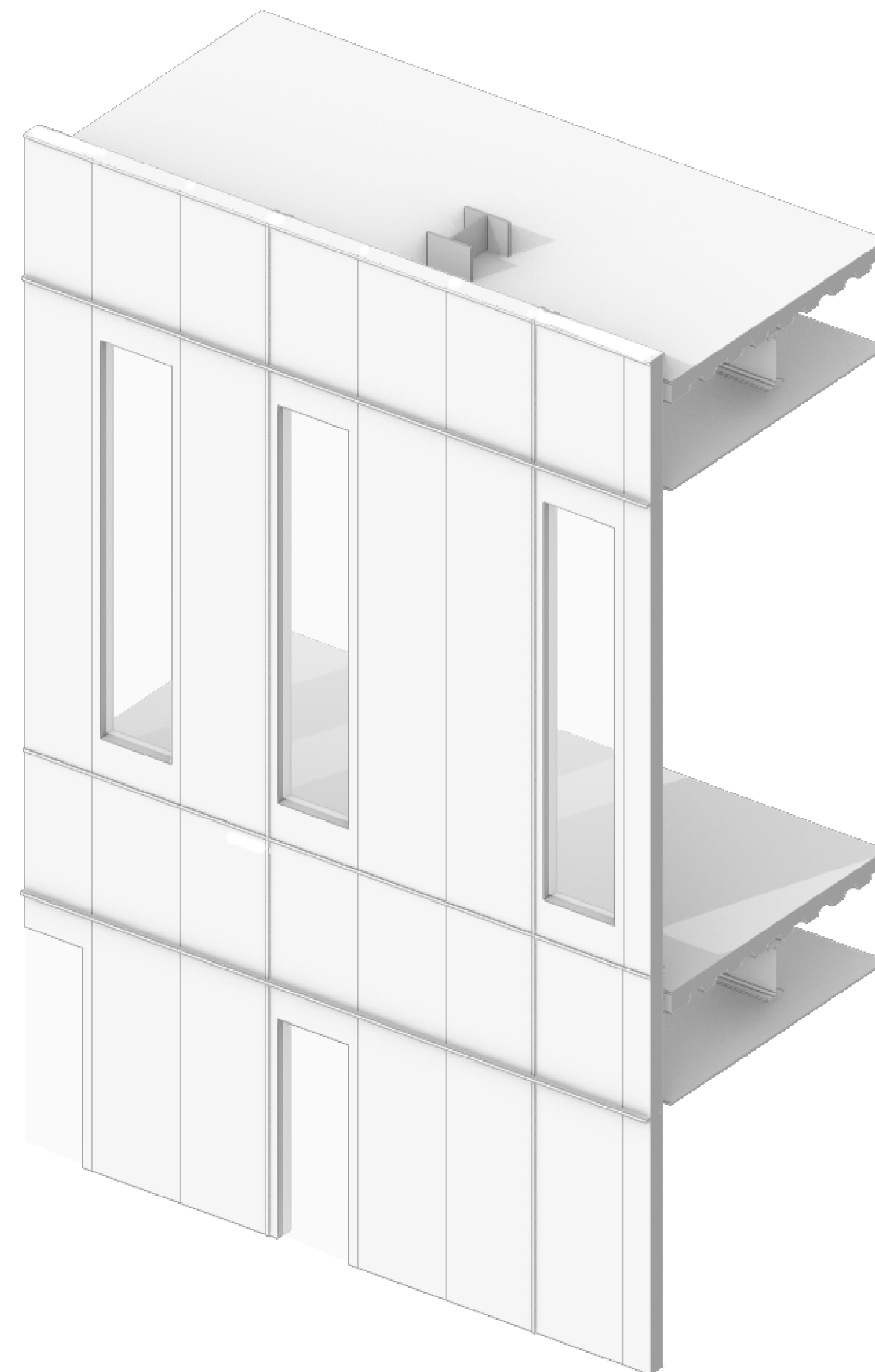
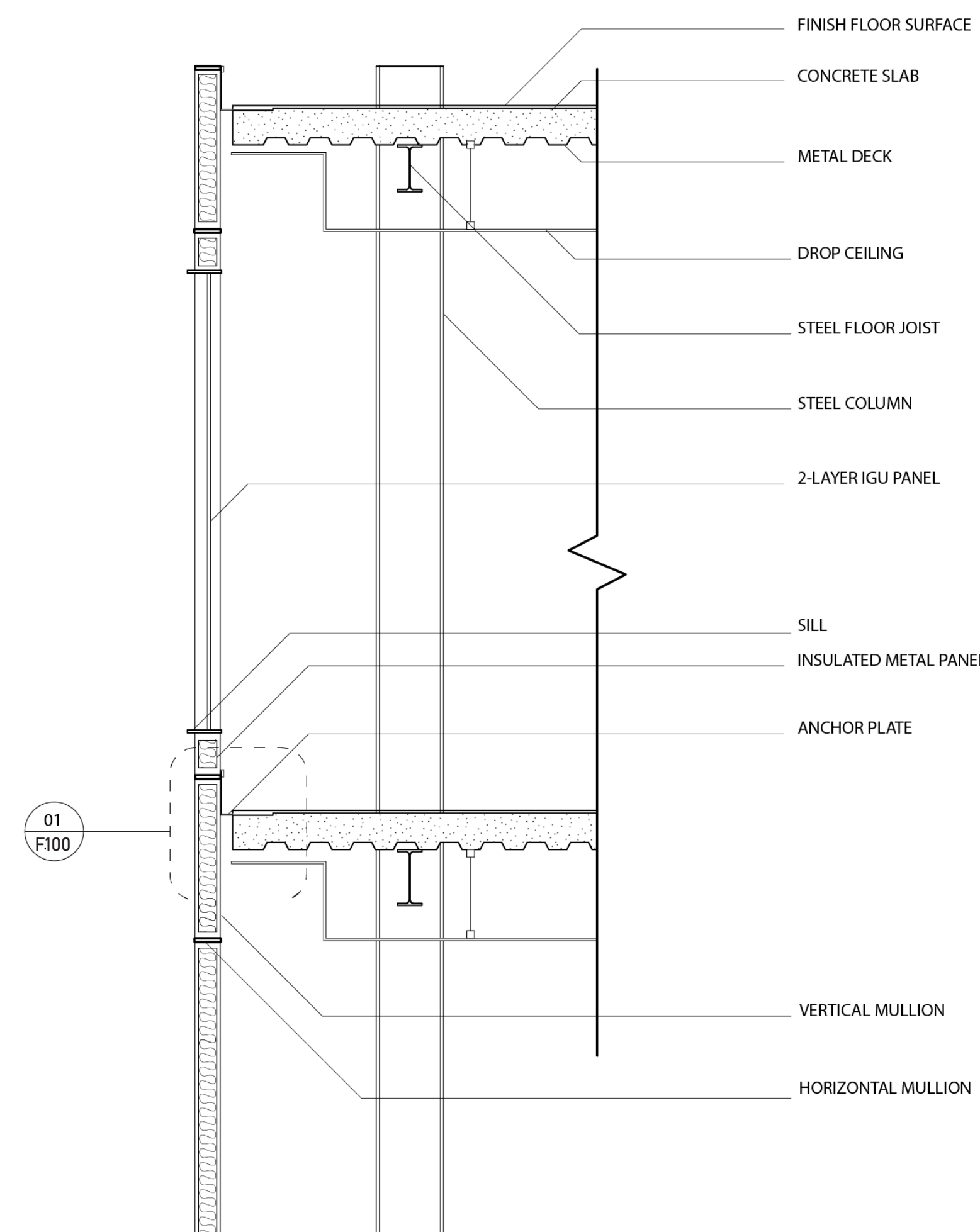
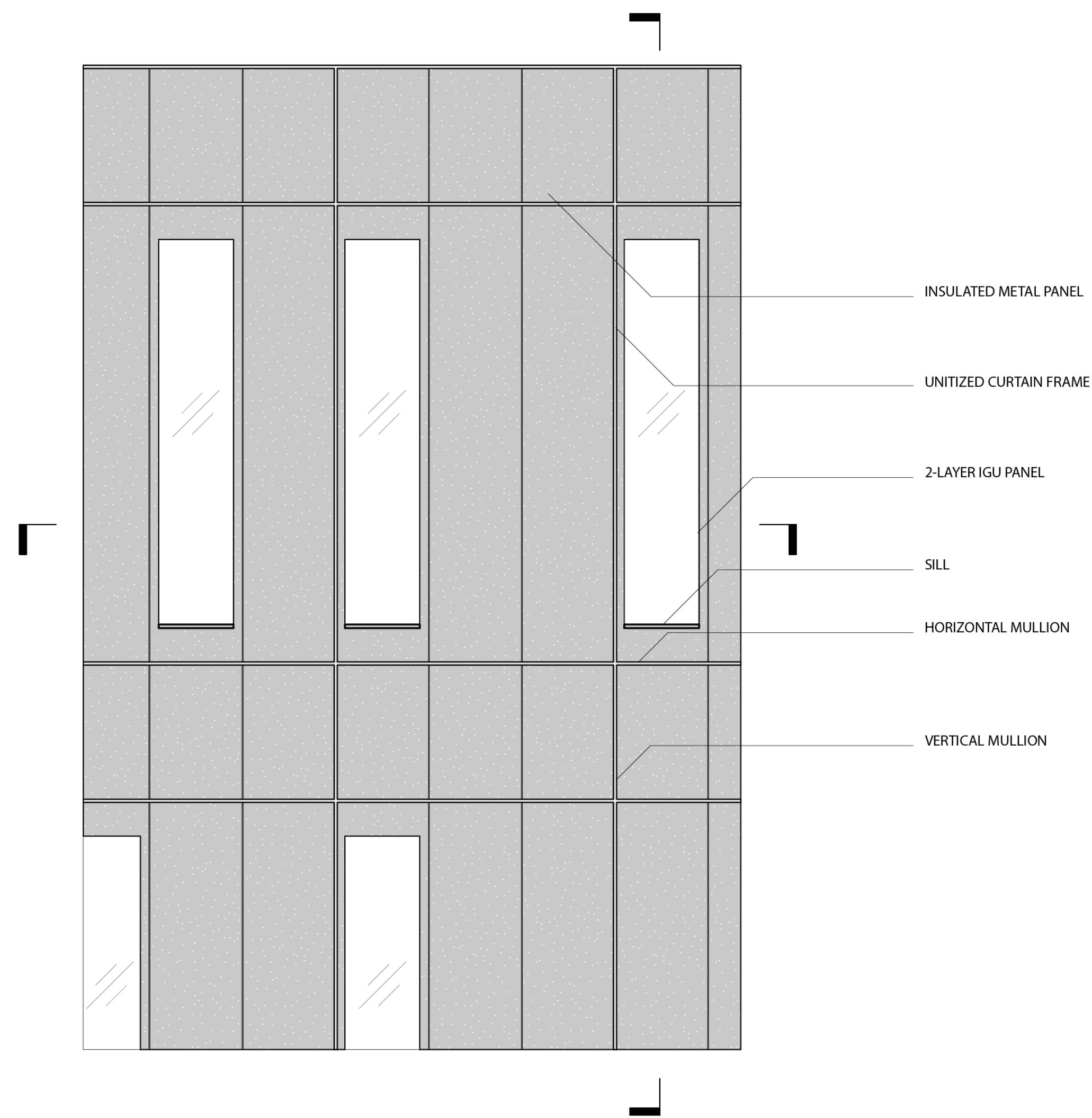
**NOT FOR CONSTRUCTION**

PROJECT NUMBER 001  
DATE DECEMBER 16, 2021

**OPAQUE  
SYSTEM FACADE  
ROADMAP**

**F001**

SCALE INSERT SCALE



**NUGGETS**

GROUP #17  
ARCHA 4114\_001\_2021

**PROJECT TEAM**

SAMUEL BAGER  
ALEX HE  
JULIE KIM  
CHARLIE LIU  
CHI CHI WAKABAYASHI

**CONSULTANTS**

AKIKO KYEI-ABOAGYE  
JUSTIN STOLZE  
KENTON PHILLIPS  
RYAN DONAGHY

**PS64  
RECONFIGURABLE  
TENSION**

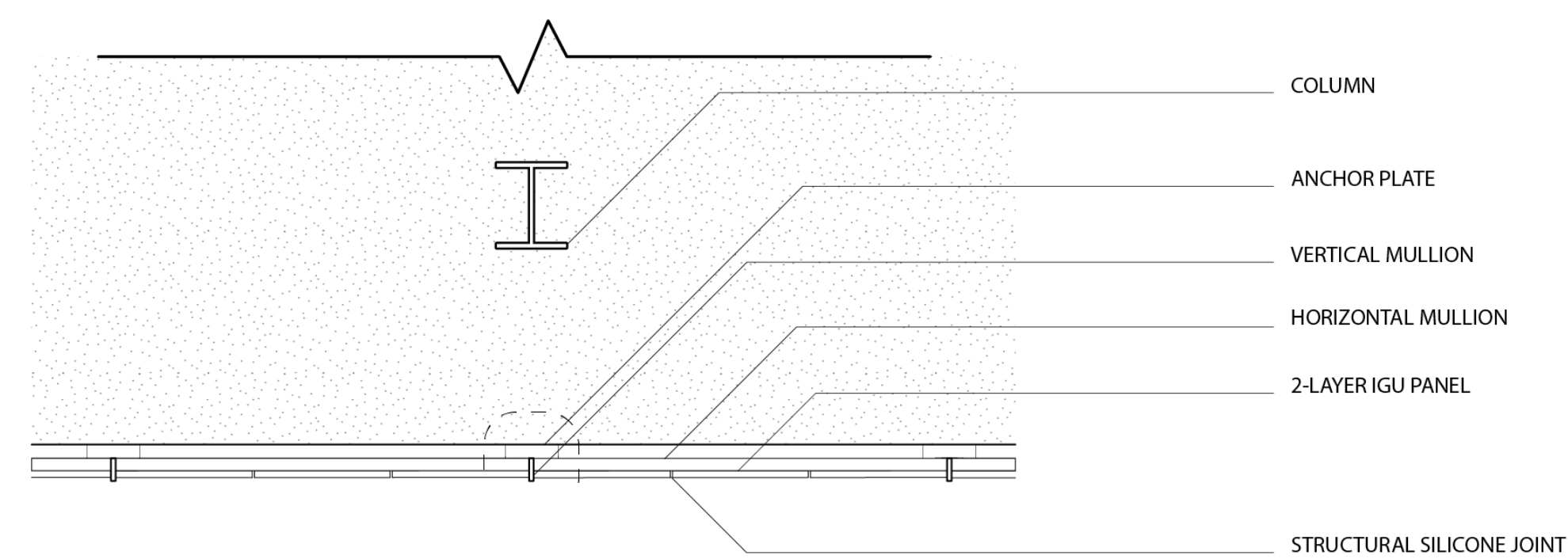
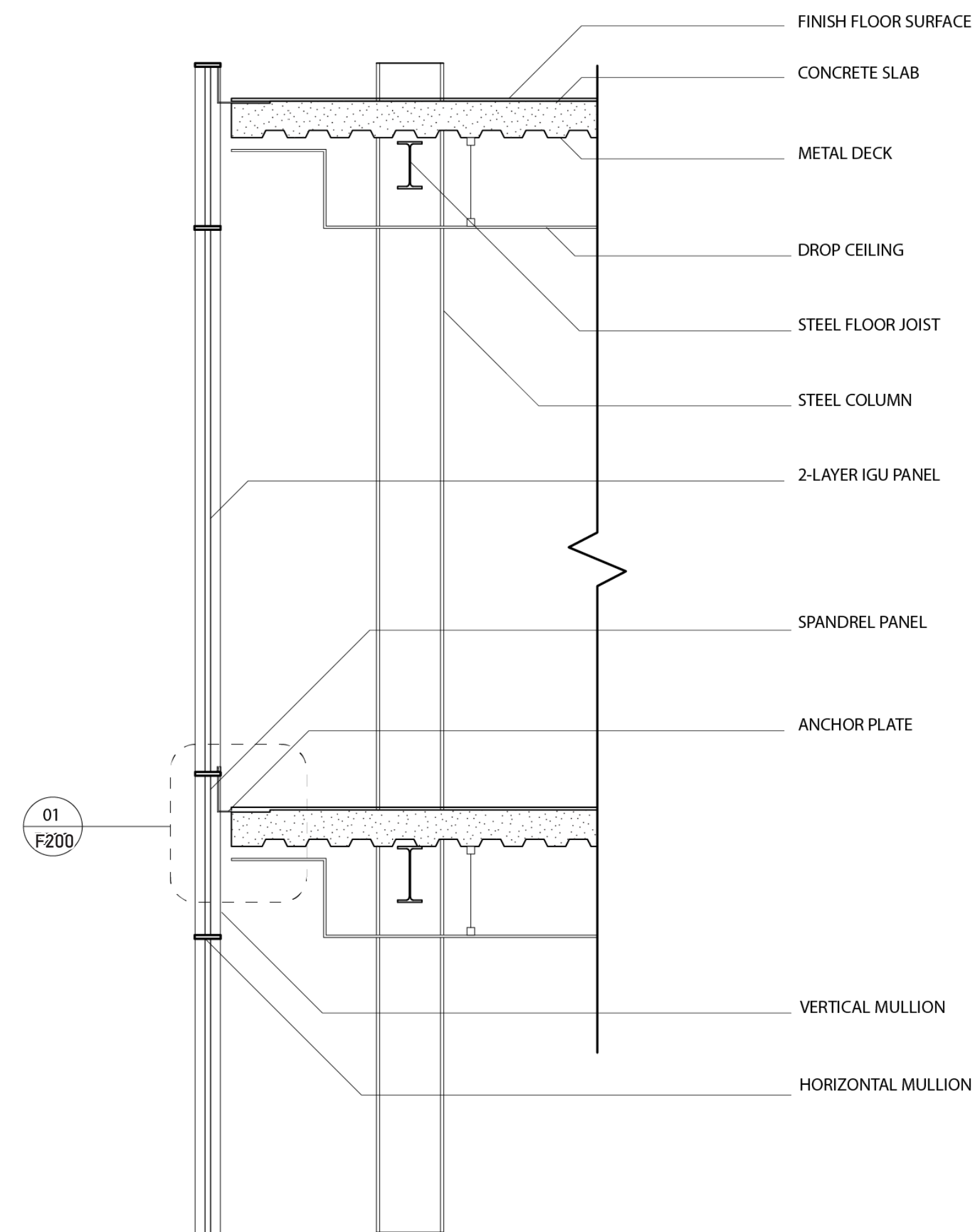
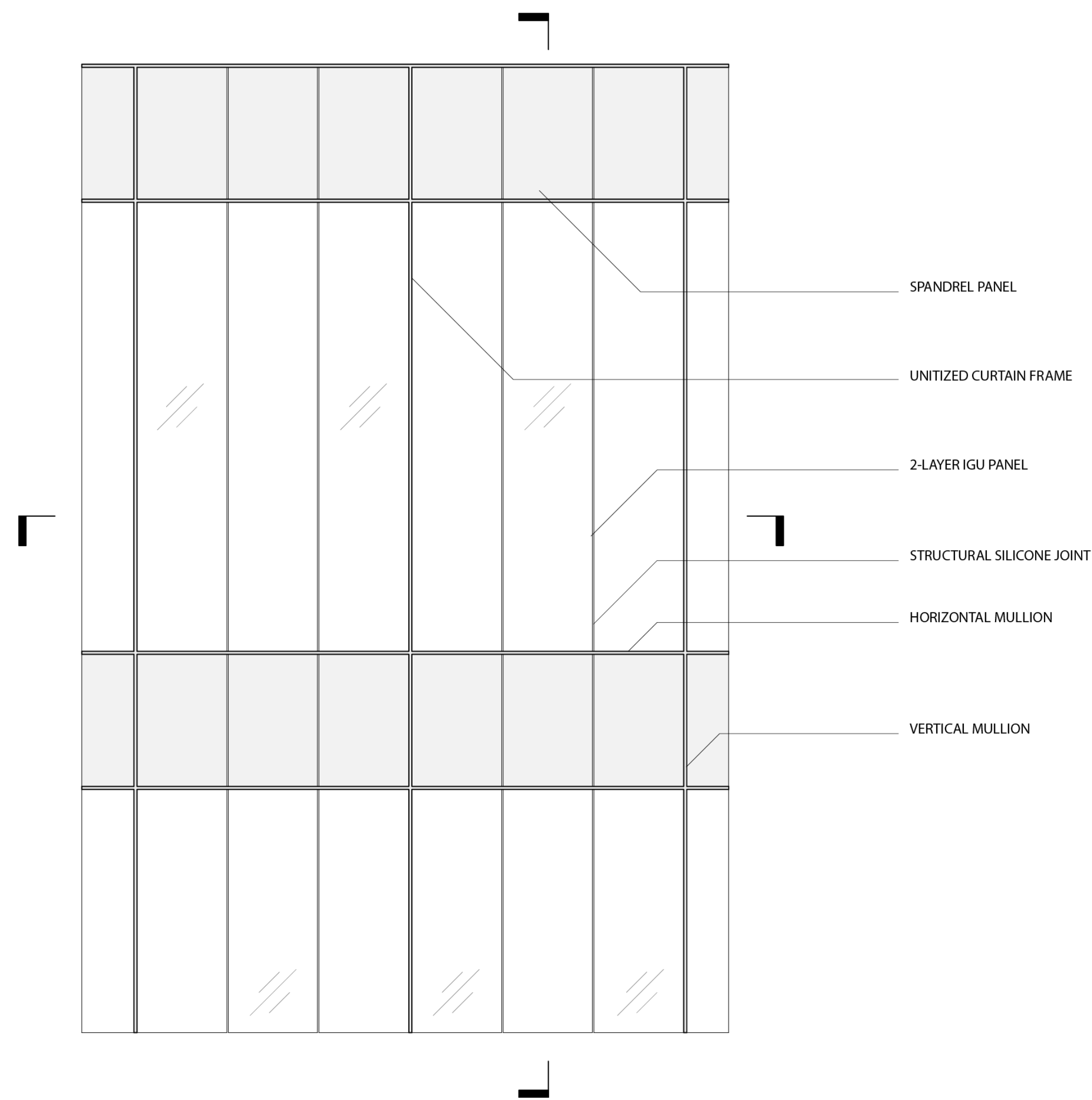
**NOT FOR CONSTRUCTION**

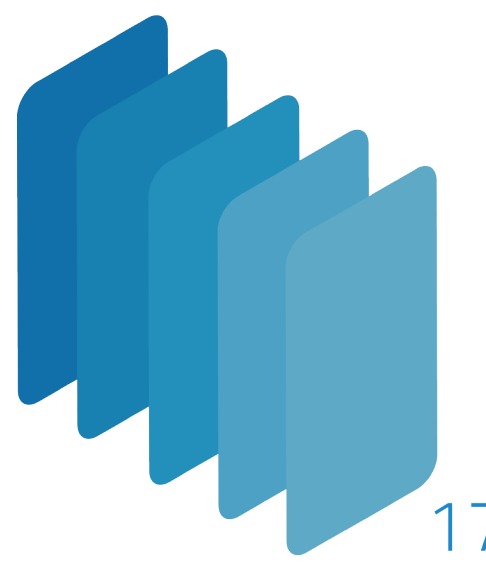
PROJECT NUMBER 001  
DATE DECEMBER 16, 2021

**GLAZED  
SYSTEM FACADE  
ROADMAP**

**F002**

SCALE INSERT SCALE





### NUGGETS

GROUP #17  
ARCHA 4114\_001\_2021

#### PROJECT TEAM

SAMUEL BAGER  
ALEX HE  
JULIE KIM  
CHARLIE LIU  
CHI CHI WAKABAYASHI

#### CONSULTANTS

AKIKO KYEI-ABOAGYE  
JUSTIN STOLZE  
KENTON PHILLIPS  
RYAN DONAGHY

### PS64 RECONFIGURABLE TENSION

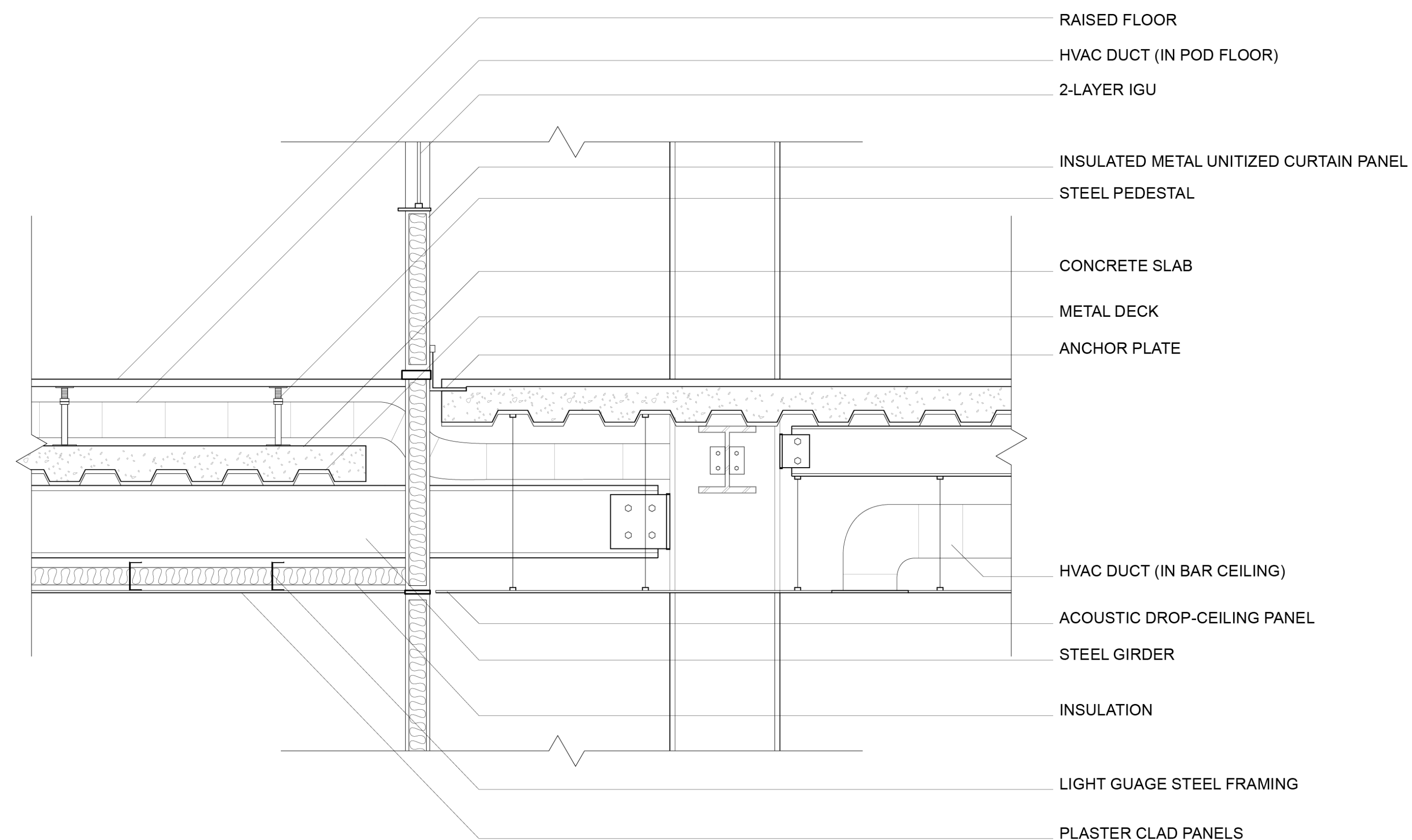
NOT FOR CONSTRUCTION

PROJECT NUMBER 001  
DATE DECEMBER 16, 2021

### OPAQUE SYSTEM DETAILS

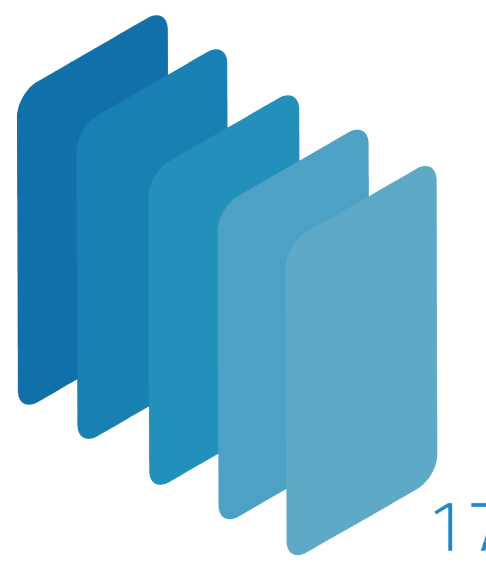
# F100

SCALE INSERT SCALE



POD FLOOR TO COLUMN SECTION 1" = 1'





**NUGGETS**

GROUP #17  
ARCHA 4114\_001\_2021

**PROJECT TEAM**

SAMUEL BAGER  
ALEX HE  
JULIE KIM  
CHARLIE LIU  
CHI CHI WAKABAYASHI

**CONSULTANTS**

AKIKO KYEI-ABOAGYE  
JUSTIN STOLZE  
KENTON PHILLIPS  
RYAN DONAGHY

**PS64  
RECONFIGURABLE  
TENSION**

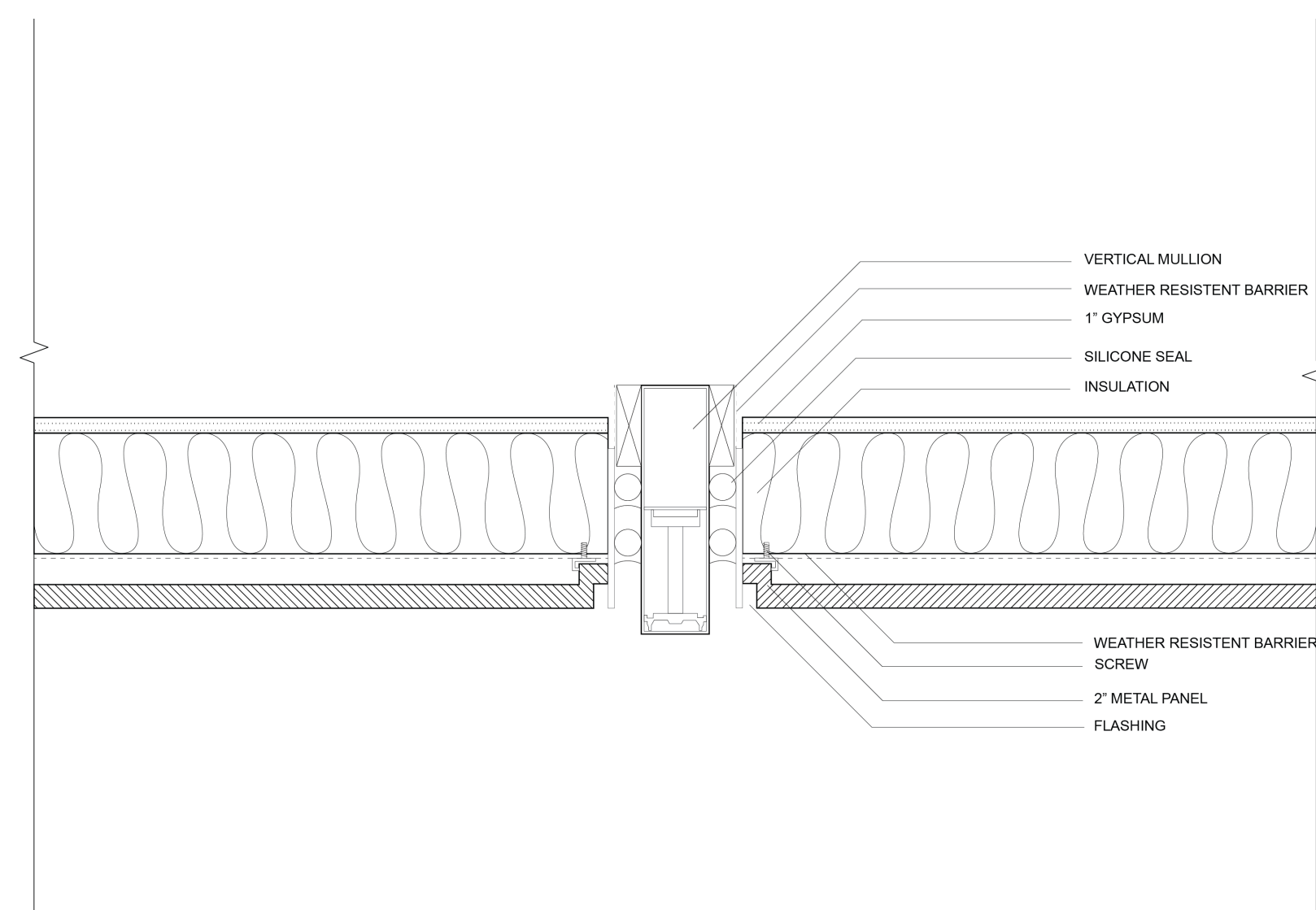
NOT FOR CONSTRUCTION

PROJECT NUMBER 001  
DATE DECEMBER 16, 2021

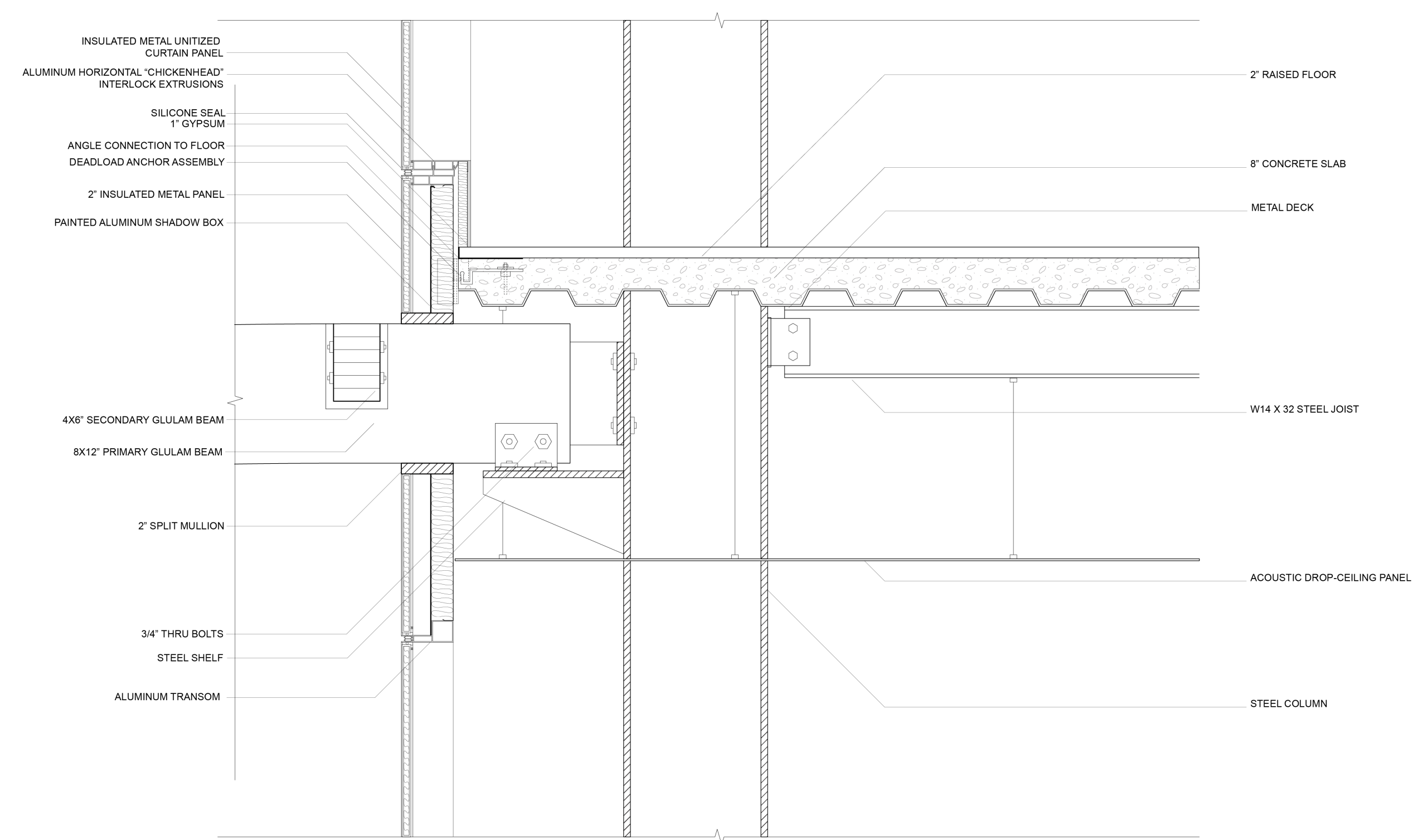
**OPAQUE SYSTEM  
DETAILS**

**F101**

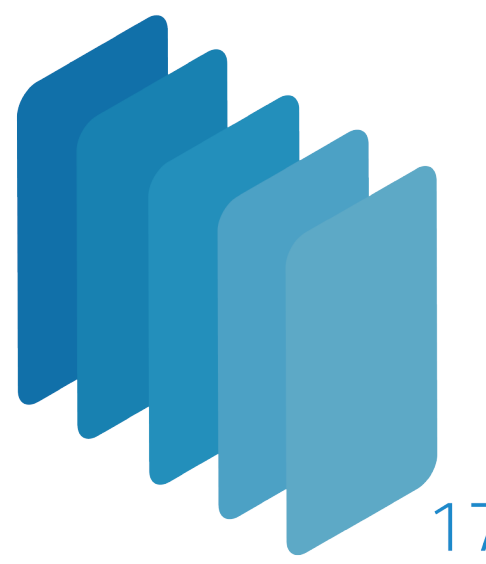
SCALE INSERT SCALE



POD ROOF TO COLUMN PLAN 1"=1'



POD ROOF TO COLUMN SECTION 1"=1'



# NUGGETS

GROUP #17  
ARCHA 4114\_001\_2021

## PROJECT TEAM

SAMUEL BAGER  
ALEX HE  
JULIE KIM  
CHARLIE LIU  
CHI CHI WAKABAYASHI

## CONSULTANTS

AKIKO KYEI-ABOAGYE  
JUSTIN STOLZE  
KENTON PHILLIPS  
RYAN DONAGHY

## PS64 RECONFIGURABLE TENSION

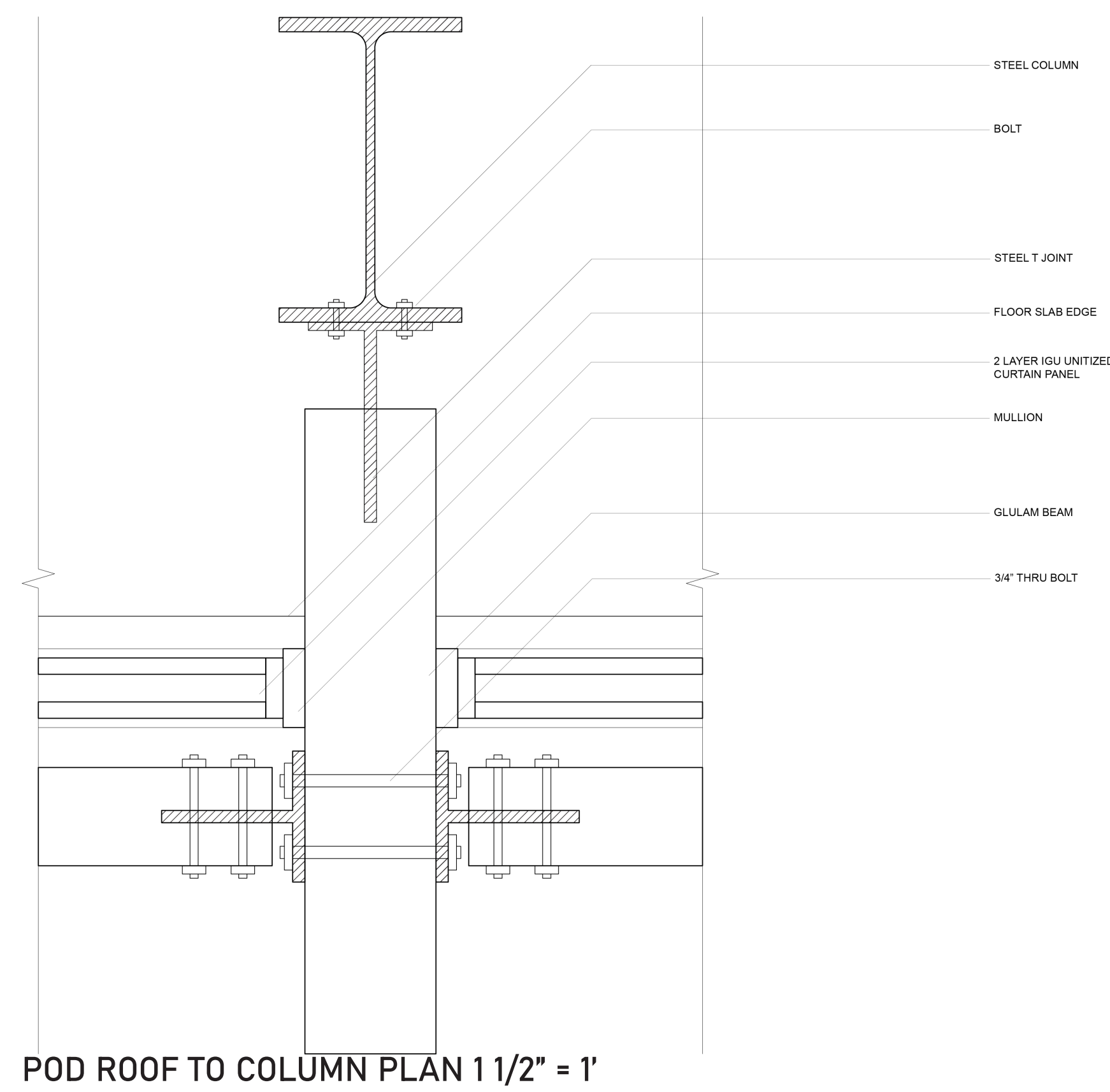
**NOT FOR CONSTRUCTION**

PROJECT NUMBER 001  
DATE DECEMBER 16, 2021

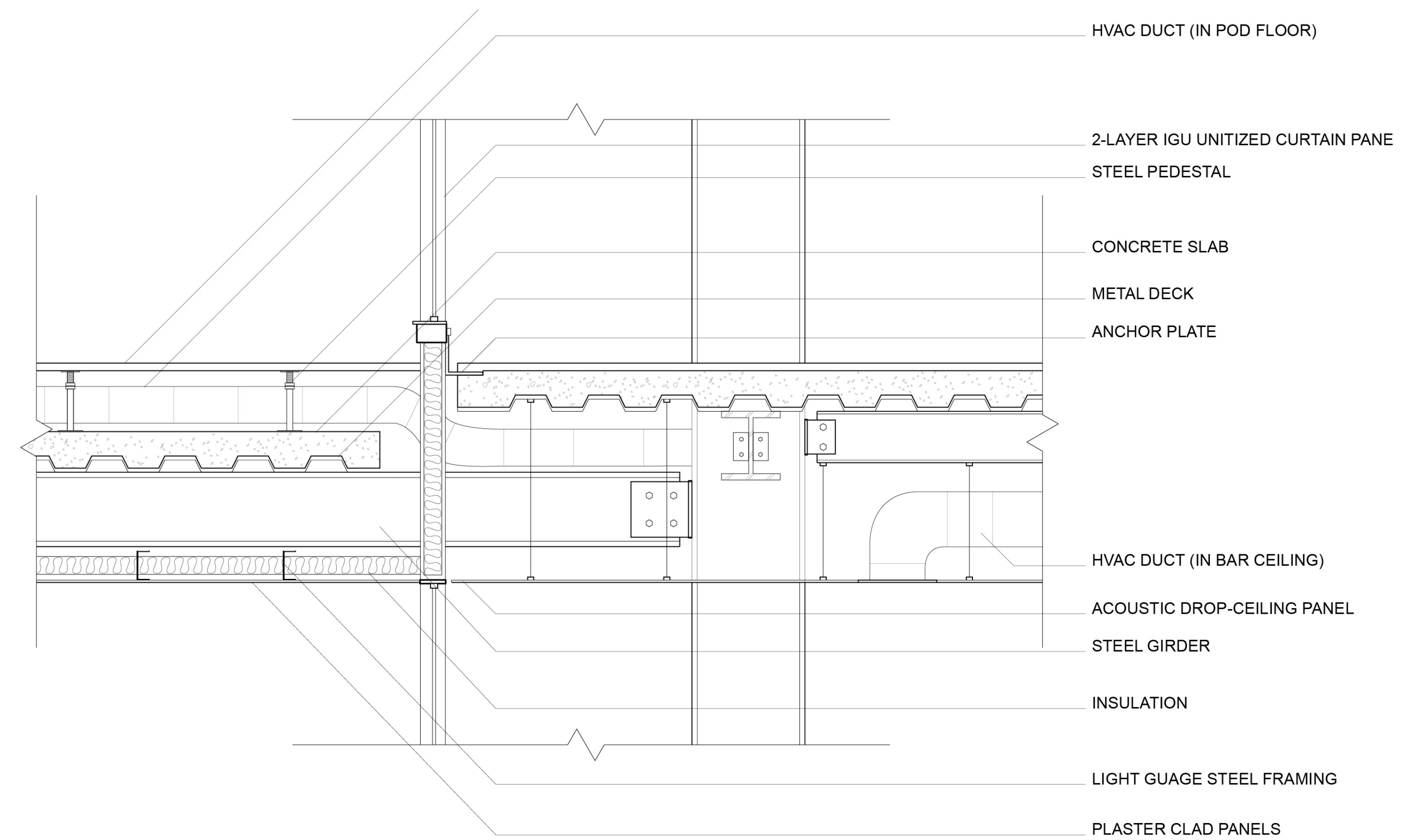
## GLAZED SYSTEM DETAILS

# F200

SCALE INSERT SCALE



POD FLOOR TO COLUMN SECTION 1"=1'



**NUGGETS**

GROUP #17  
ARCHA 4114\_001\_2021

**PROJECT TEAM**

SAMUEL BAGER  
ALEX HE  
JULIE KIM  
CHARLIE LIU  
CHI CHI WAKABAYASHI

**CONSULTANTS**

AKIKO KYEI-ABOAGYE  
JUSTIN STOLZE  
KENTON PHILLIPS  
RYAN DONAGHY

**PS64  
RECONFIGURABLE  
TENSION**

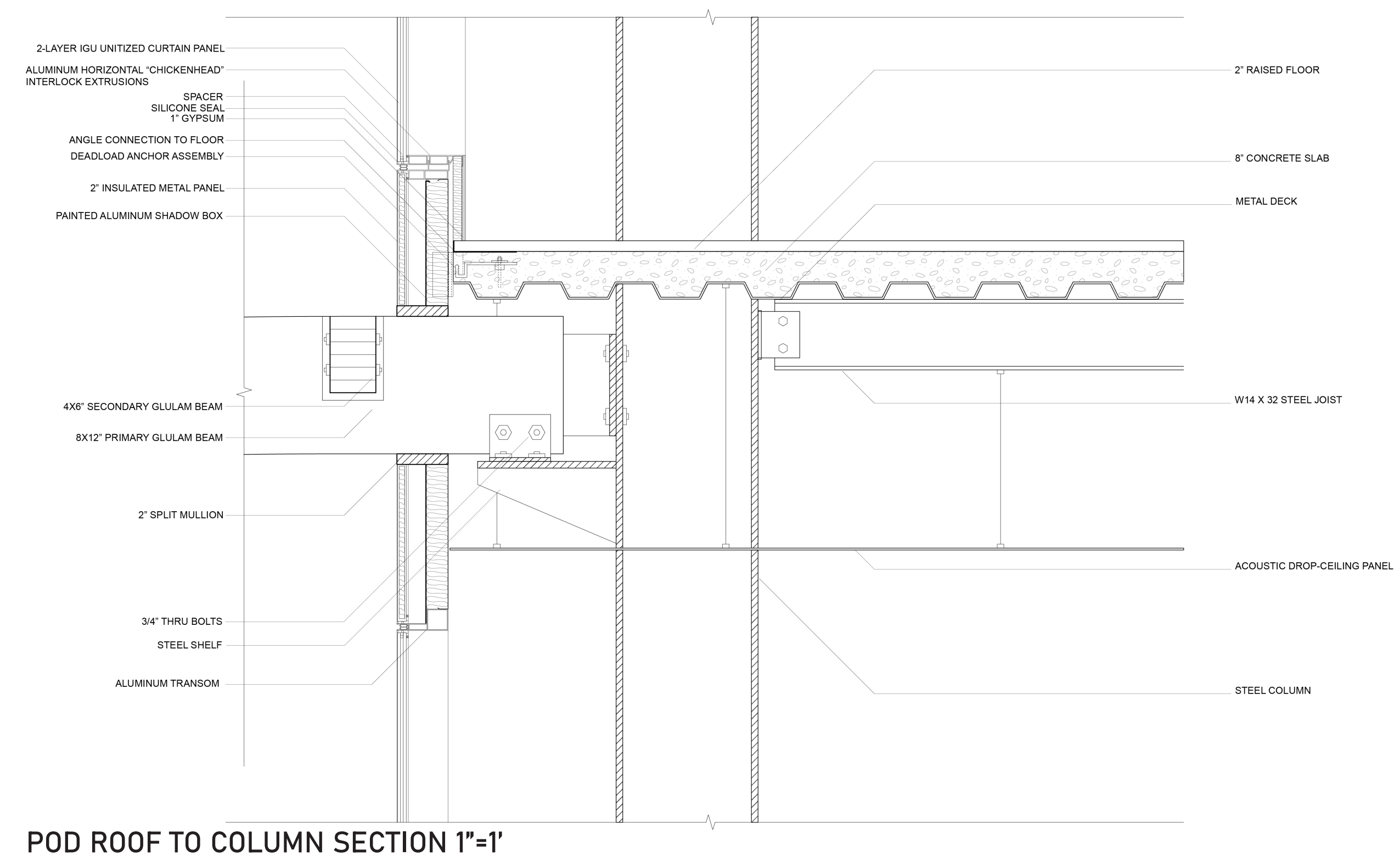
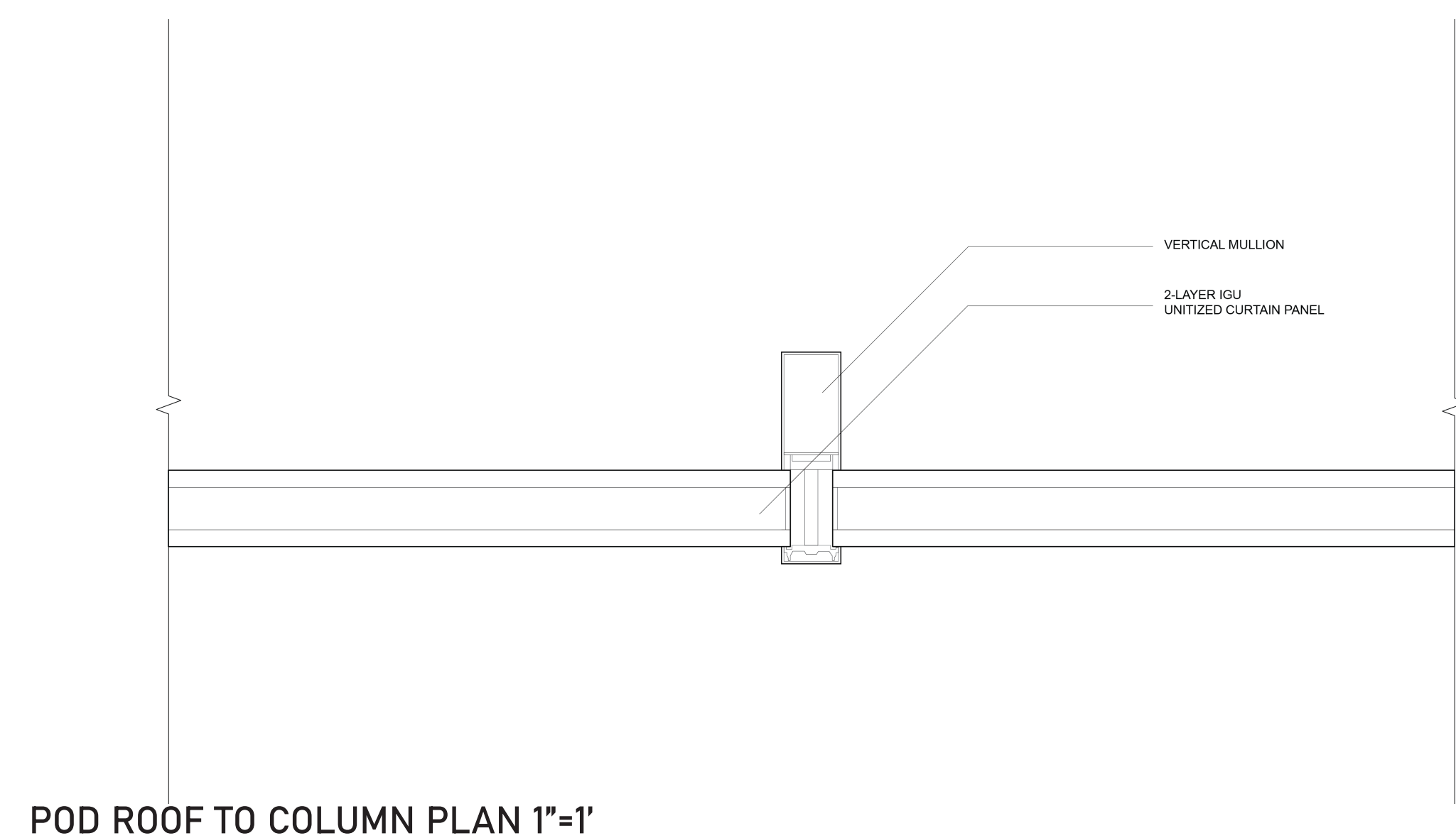
**NOT FOR CONSTRUCTION**

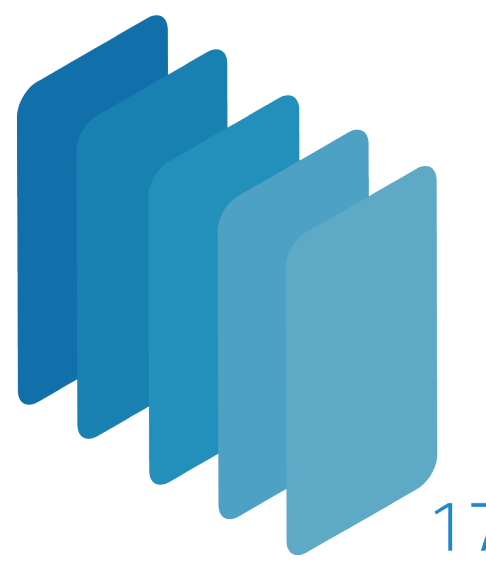
PROJECT NUMBER 001  
DATE DECEMBER 16, 2021

**GLAZED SYSTEM  
DETAILS**

**F201**

SCALE INSERT SCALE





**NUGGETS**

GROUP #17  
ARCHA 4114\_001\_2021

**PROJECT TEAM**

SAMUEL BAGER  
ALEX HE  
JULIE KIM  
CHARLIE LIU  
CHI CHI WAKABAYASHI

**CONSULTANTS**

AKIKO KYEI-ABOAGYE  
JUSTIN STOLZE  
KENTON PHILLIPS  
RYAN DONAGHY

**PS64  
RECONFIGURABLE  
TENSION**

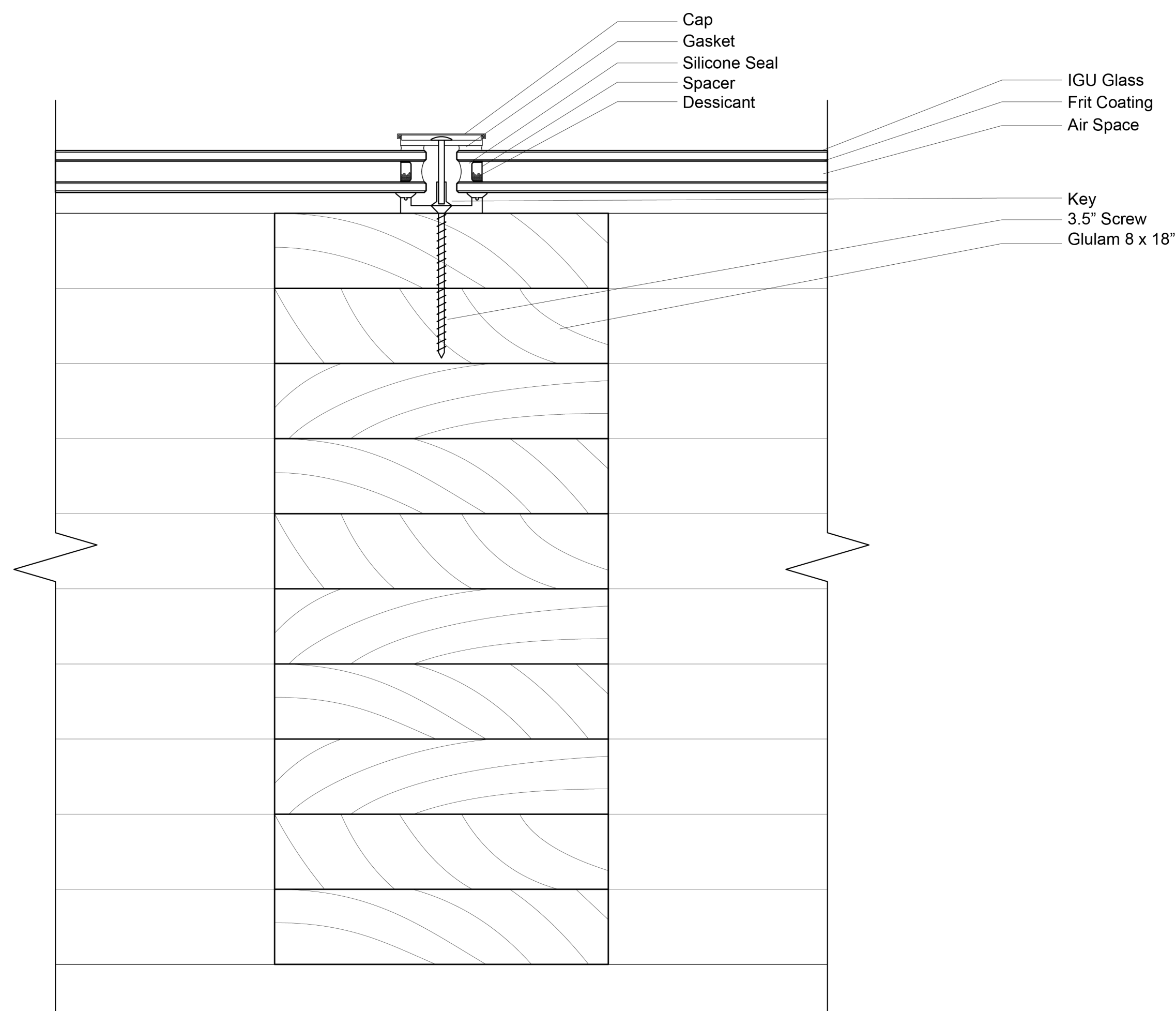
NOT FOR CONSTRUCTION

PROJECT NUMBER 001  
DATE DECEMBER 16, 2021

**POD ROOF  
DETAILS**

**F300**

SCALE INSERT SCALE



SKYLIGHT TO GLULAM BEAM SECTION

**NUGGETS**

GROUP #17  
ARCHA 4114\_001\_2021

**PROJECT TEAM**

SAMUEL BAGER  
ALEX HE  
JULIE KIM  
CHARLIE LIU  
CHI CHI WAKABAYASHI

**CONSULTANTS**

AKIKO KYEI-ABOAGYE  
JUSTIN STOLZE  
KENTON PHILLIPS  
RYAN DONAGHY

**PS64  
RECONFIGURABLE  
TENSION**

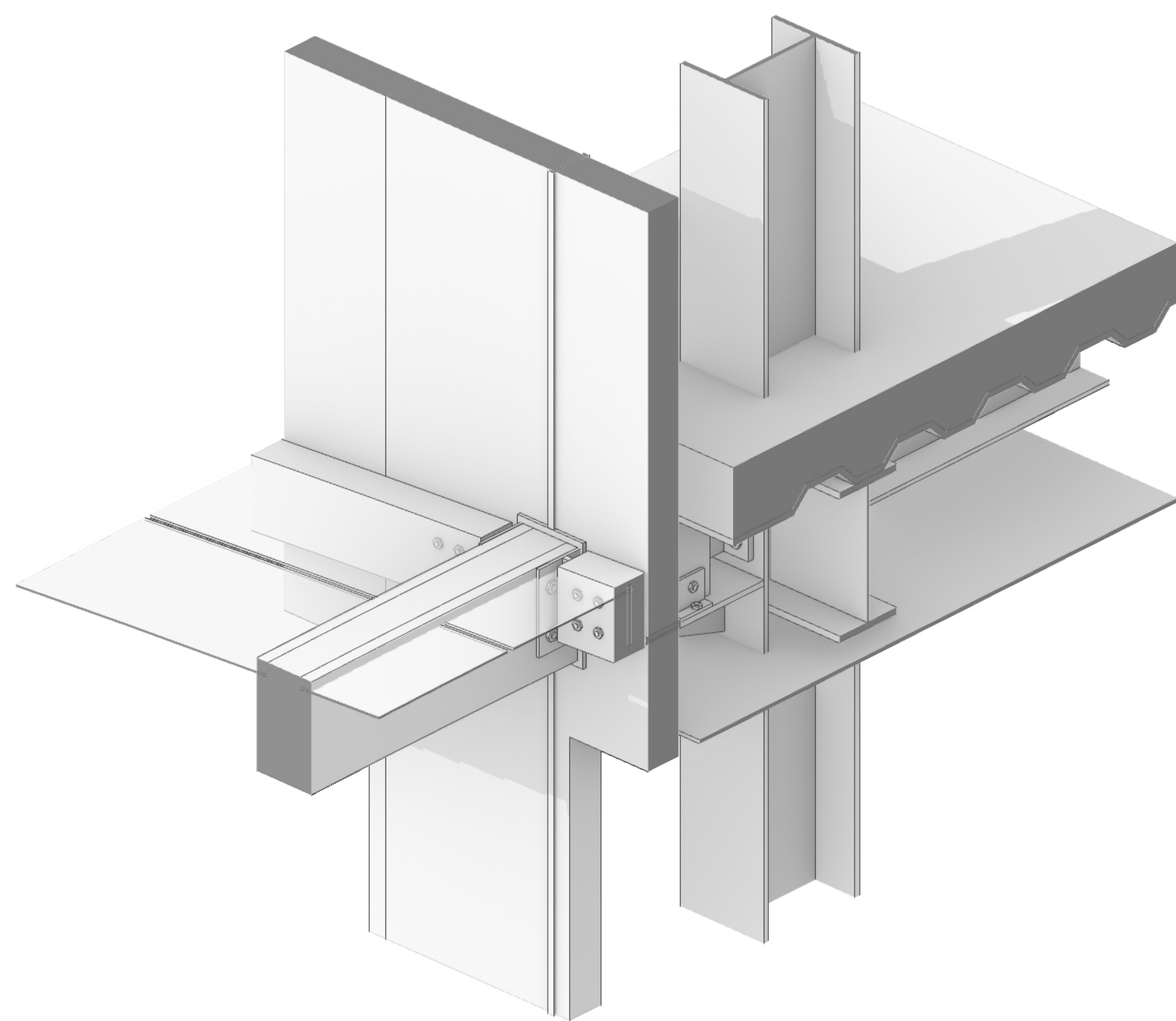
NOT FOR CONSTRUCTION

PROJECT NUMBER 001  
DATE DECEMBER 16, 2021

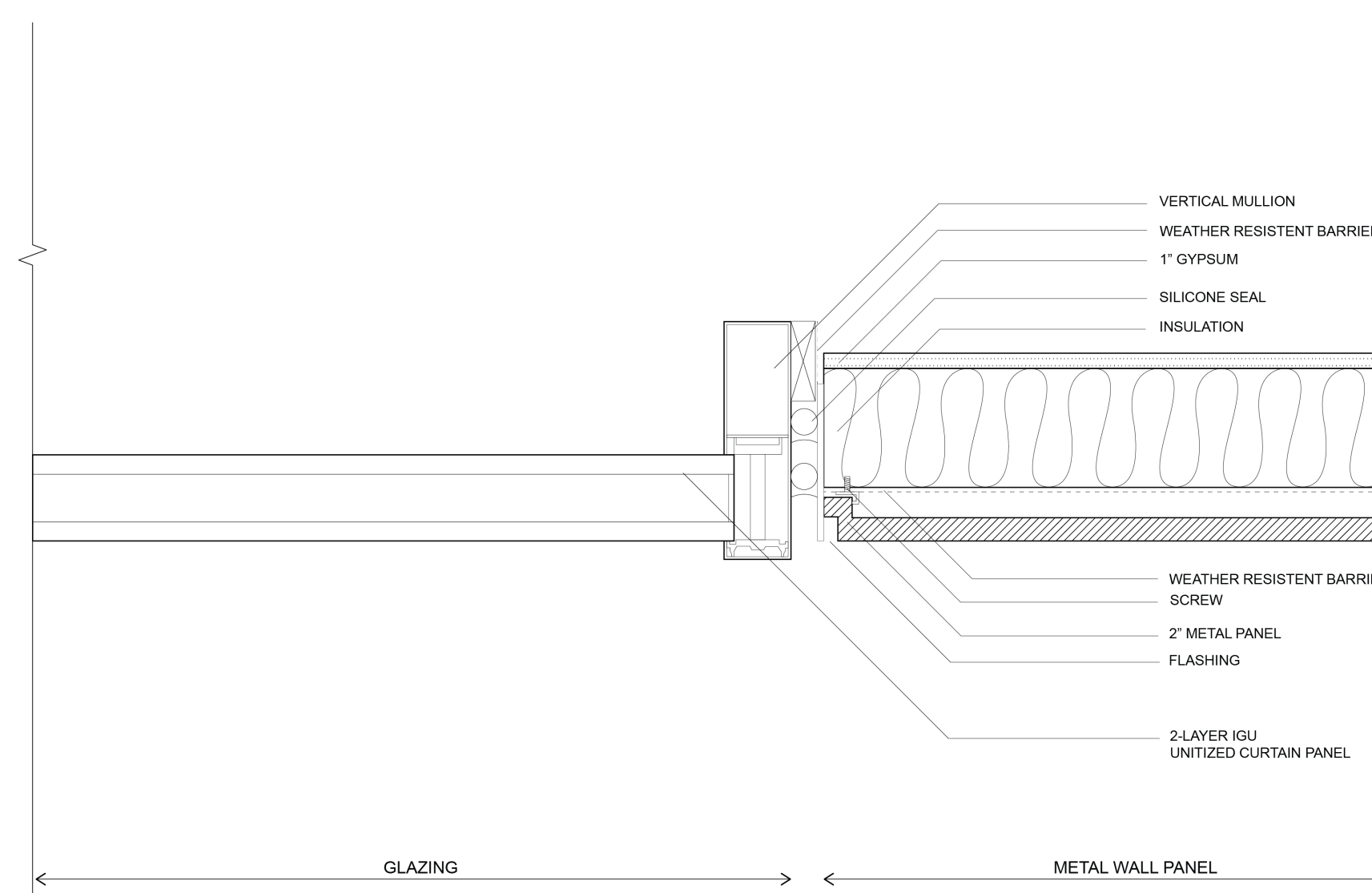
**INTERFACE  
DETAILS**

**F400**

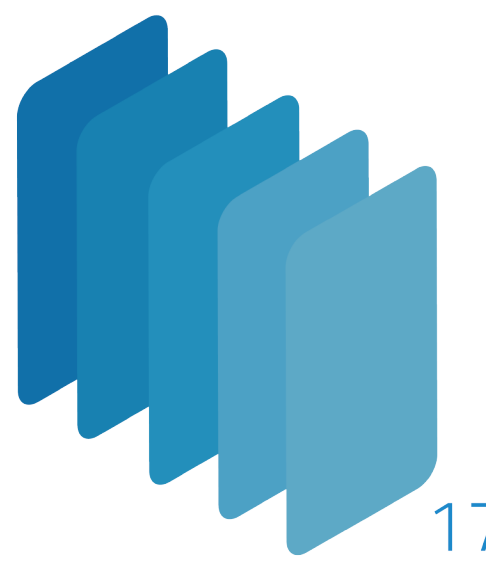
SCALE INSERT SCALE



POD ROOF TO OPAQUE FACADE AXON



OPAQUE PANEL TO GLAZED PANEL INTERFACE PLAN 1"=1'



17

**NUGGETS**

GROUP #17  
ARCHA 4114\_001\_2021

**PROJECT TEAM**

SAMUEL BAGER  
ALEX HE  
JULIE KIM  
CHARLIE LIU  
CHI CHI WAKABAYASHI

**CONSULTANTS**

AKIKO KYEI-ABOAGYE  
JUSTIN STOLZE  
KENTON PHILLIPS  
RYAN DONAGHY

**PS64  
RECONFIGURABLE  
TENSION**

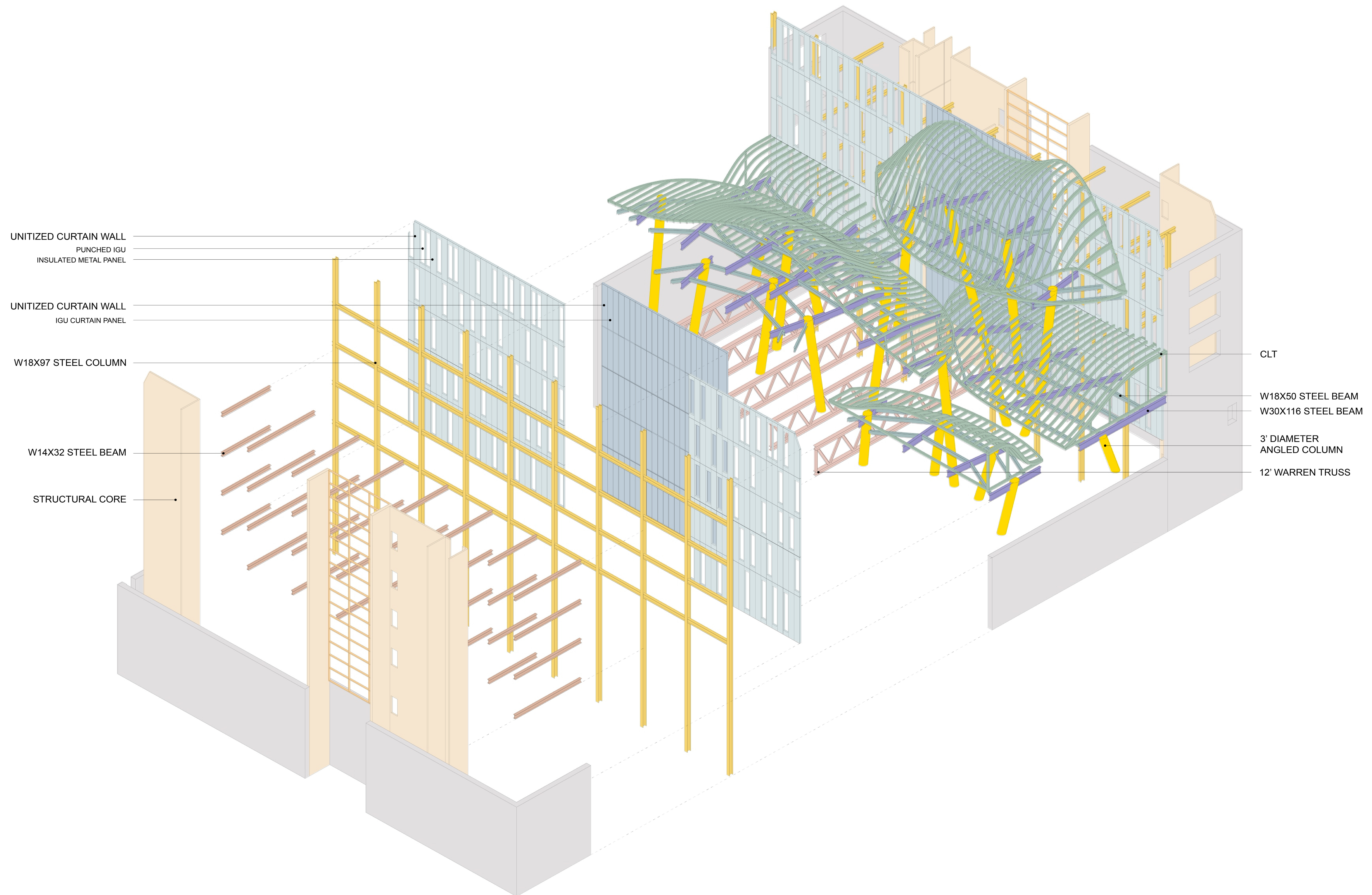
**NOT FOR CONSTRUCTION**

PROJECT NUMBER 001  
DATE DECEMBER 16, 2021

**EXPLODED  
BUILDING AXON**

**S001**

SCALE INSERT SCALE



UNITIZED CURTAIN WALL  
PUNCHED IGU  
INSULATED METAL PANEL

UNITIZED CURTAIN WALL  
IGU CURTAIN PANEL

W18X97 STEEL COLUMN

W14X32 STEEL BEAM

STRUCTURAL CORE

CLT

W18X50 STEEL BEAM  
W30X116 STEEL BEAM

3' DIAMETER  
ANGLED COLUMN

12' WARREN TRUSS



### NUGGETS

GROUP #17  
ARCHA 4114\_001\_2021

### PROJECT TEAM

SAMUEL BAGER  
ALEX HE  
JULIE KIM  
CHARLIE LIU  
CHI CHI WAKABAYASHI

### CONSULTANTS

AKIKO KYEI-ABOAGYE  
JUSTIN STOLZE  
KENTON PHILLIPS  
RYAN DONAGHY

### PS64 RECONFIGURABLE TENSION

NOT FOR CONSTRUCTION

PROJECT NUMBER 001  
DATE DECEMBER 16, 2021

### STRUCTURAL DETAILS

# S100

SCALE

