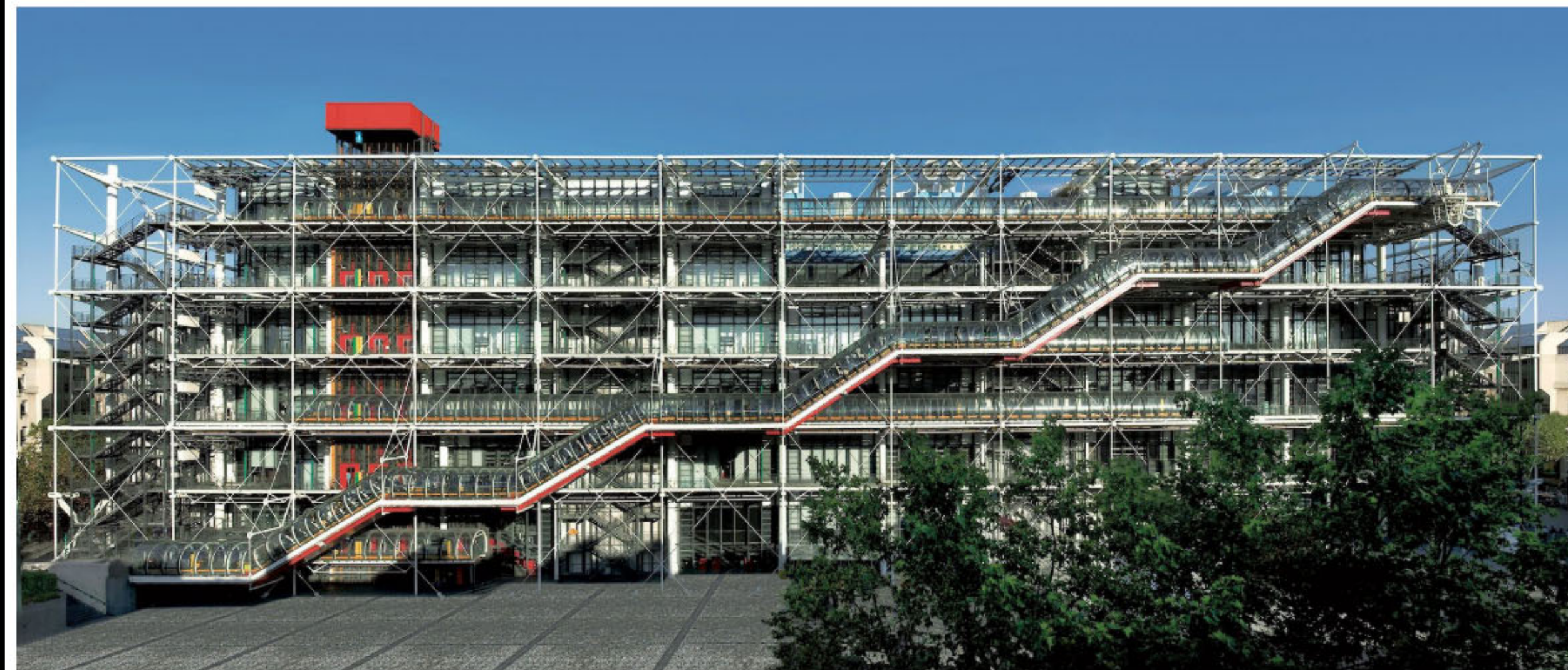




Precedent Approach

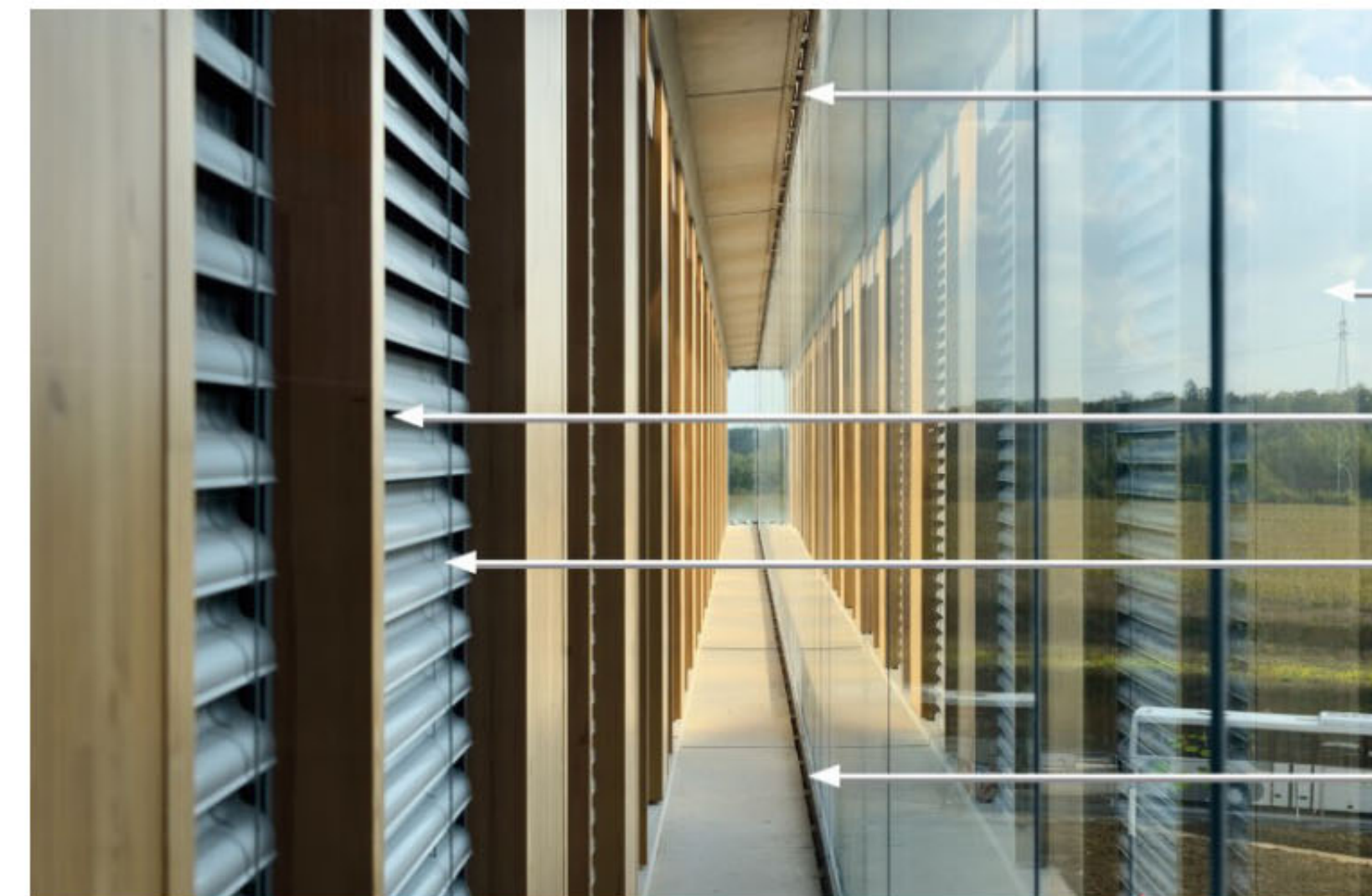
CONCEPT APPROACH



Vertical External Circulation

Pompidou Center, Paris, Renzo Piano and Richard Rogers

Materiality



Double Skin Facade with shading system

Opening for ventilation

Glazing

Double Facade

Shading Device

Opening for ventilation

Architect
JOE HAND
SHoP Architects

Structural Consultant
AMY HARRINGTON
Silman

Mechanical Consultant
CHRIS ASHTON
BuroHappold

Enclosure Consultant
AARON DAVIS
Heintges Consulting

Designers
MARCUS CHAN
MICHAEL LAU
EMMA SUMROW
CEMRE TOKAT
MINGYUE ZHANG

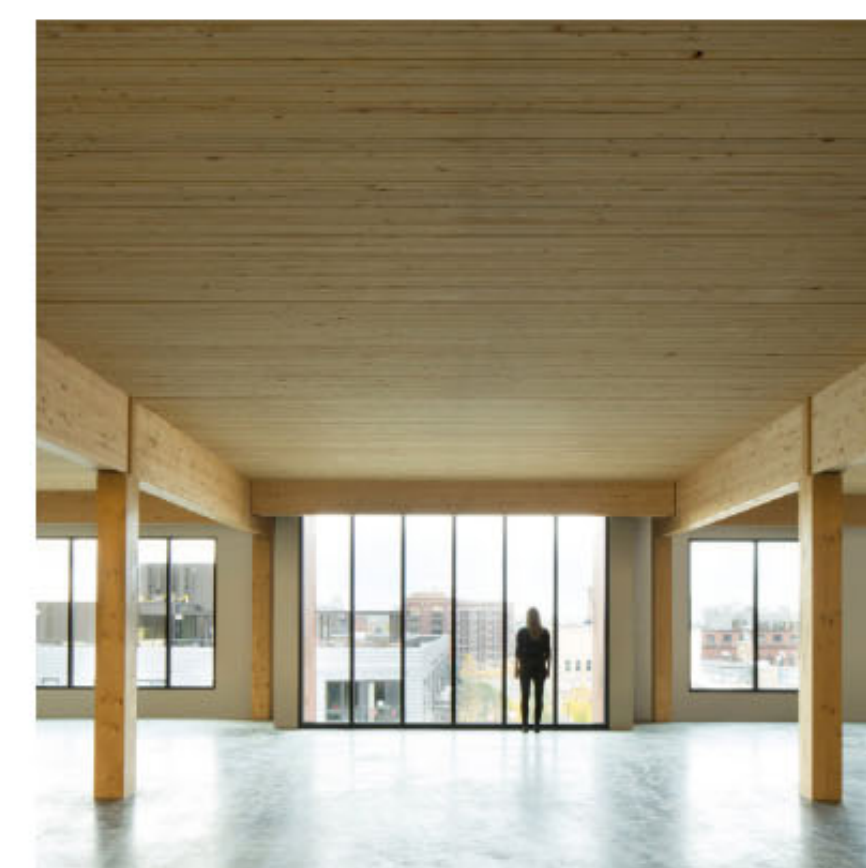
NO.	DATE	REVISION
01	19 OCT 2021	SD SUBMISSION
02	14 DEC 2021	DD SUBMISSION



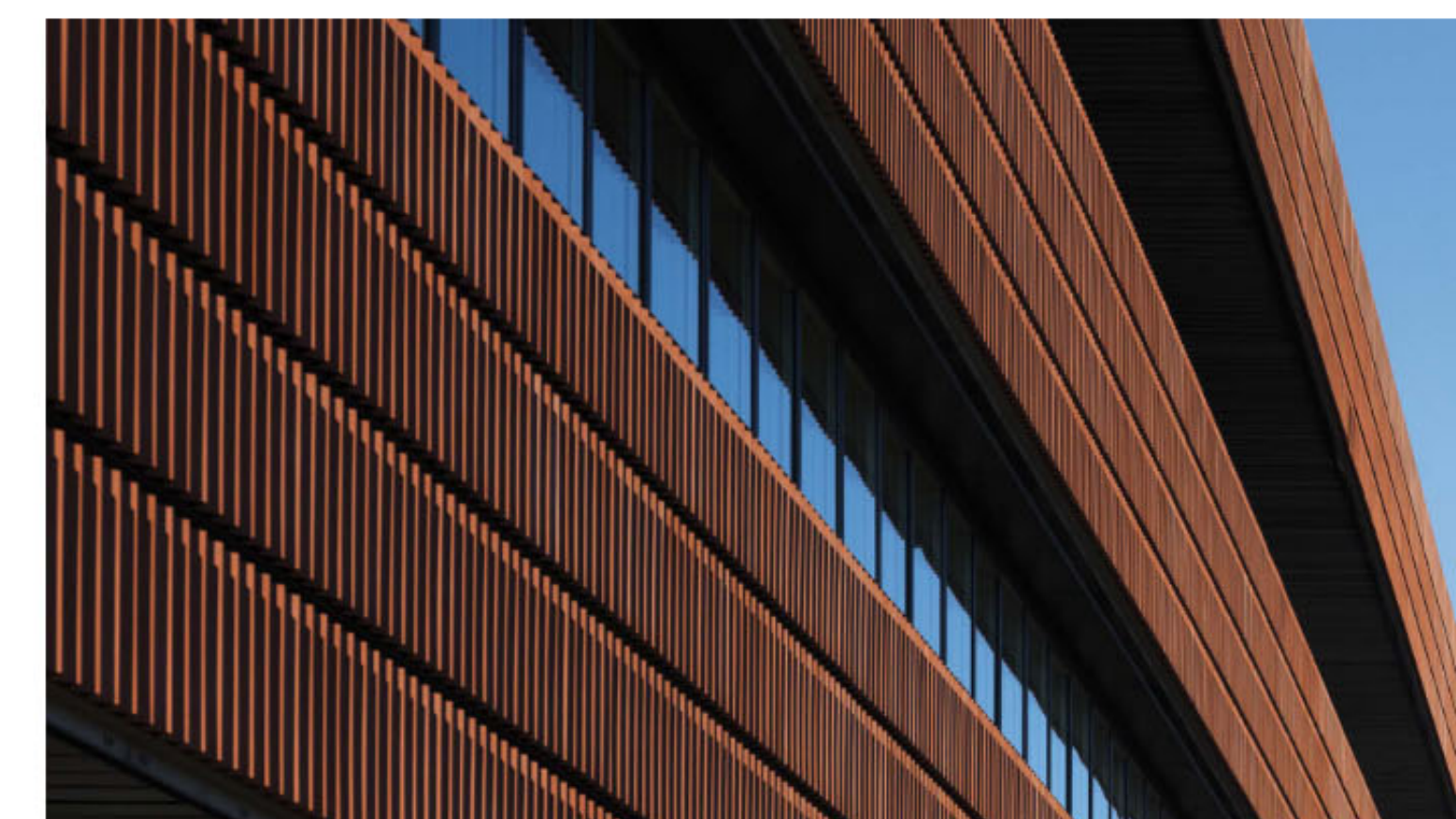
Atrium
Dave & Bella Headquarters, Hangzhou, LYCS Architecture



Believe in Better Building, Isleworth, Arup Associates



CLT with Concrete Topping



Terracotta Cladding System at the second layer of the double facade

PRECEDENT & APPROACH

Project number	001
Date	14 DEC 2021
Scale	Author

G003

12/17/2021 9:17:08 PM



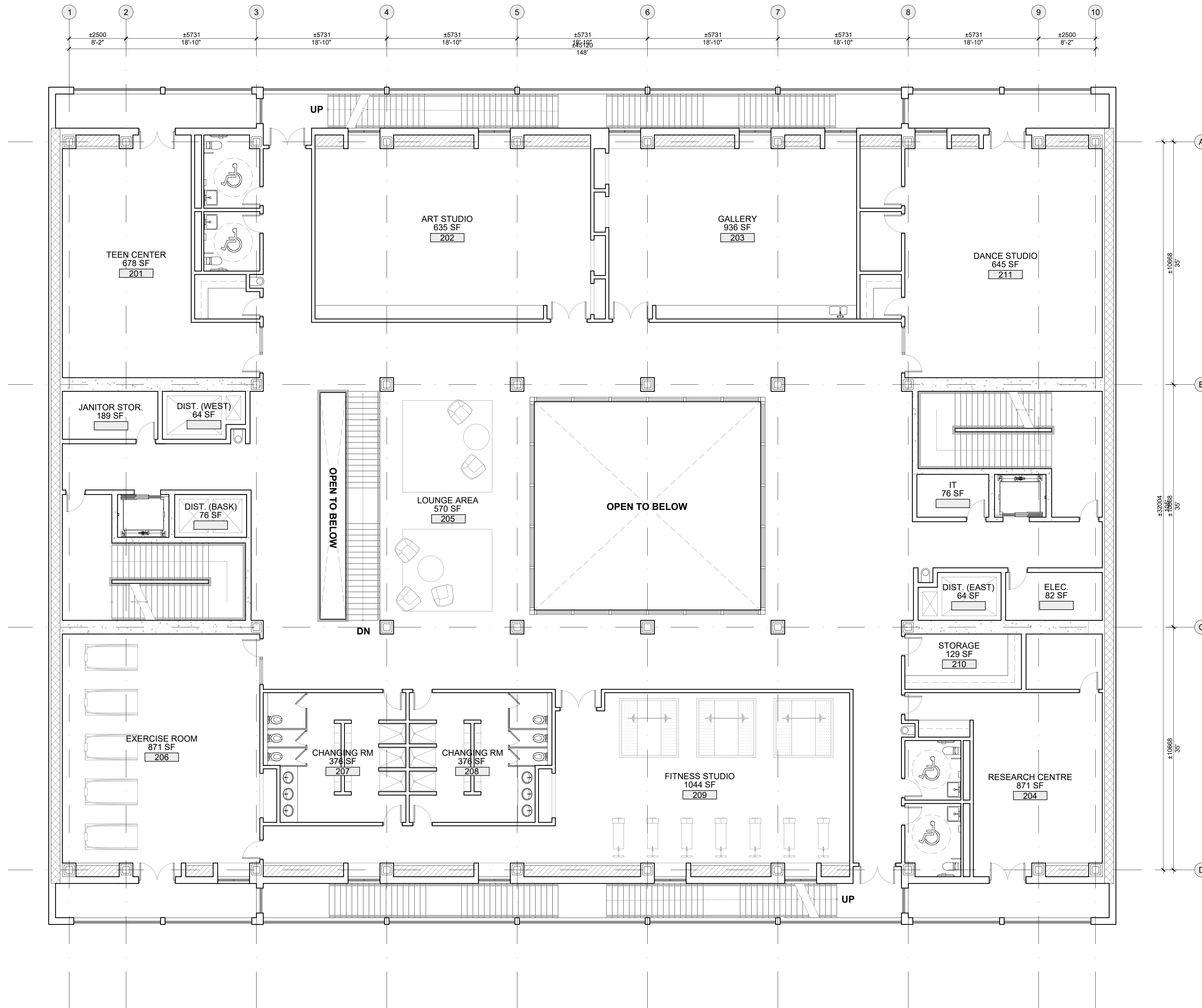
Architect
 JOE HAND
 SHoP Architects

Structural Consultant
 AMY HARRINGTON
 Silman

Mechanical Consultant
 CHRIS ASHTON
 BuroHappold

Enclosure Consultant
 AARON DAVIS
 Heintges Consulting

Designers
 MARCUS CHAN
 MICHAEL LAU
 EMMA SUMROW
 CEMRE TOKAT
 MINGYUE ZHANG



NO.	DATE	REVISION
01	19 OCT 2021	SD SUBMISSION
02	14 DEC 2021	DD SUBMISSION

FLOOR PLAN LEVEL 2

Project number	001
Date	14 DECEMBER 2021
Scale	001

A103



Architect
JOE HAND
ShoP Architects

Structural Consultant
AMY HARRINGTON
Silman

Mechanical Consultant
CHRIS ASHTON
BuroHappold

Enclosure Consultant
AARON DAVIS
Heintges Consulting

Designers
MICHAEL CHAN
MICHAEL LAU
EMMA SUMROW
CEMRE TOKAT
MINGYUE ZHANG

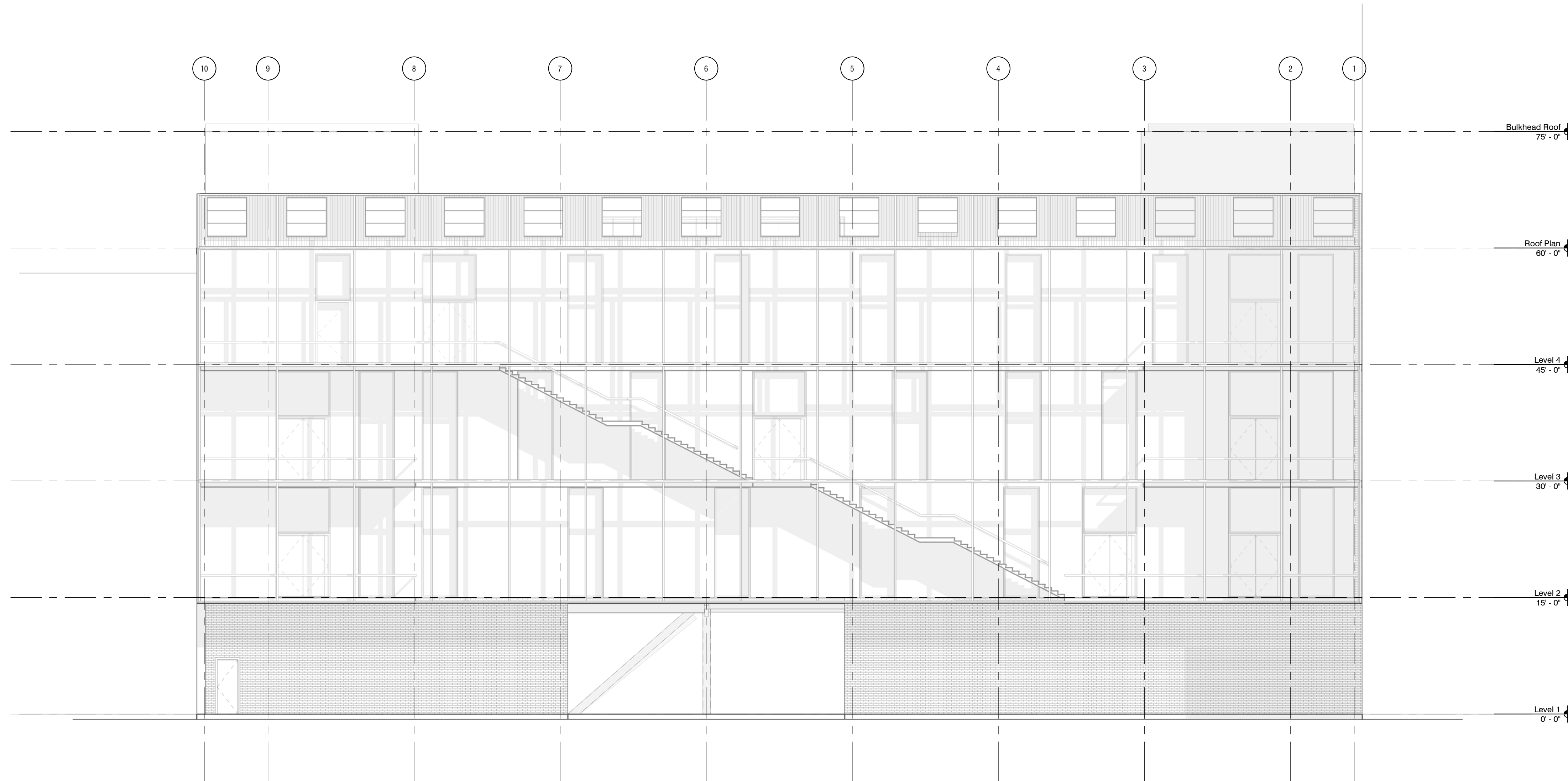
NO.	DATE	REVISION
01	19 OCT 2021	SD SUBMISSION
02	14 DEC 2021	DD SUBMISSION

NORTH ELEVATION

Project number	001
Date	14 DEC 2021
Scale	1/8" = 1'0"

A300

17/12/2021 1:17:07 pm



1 Elevation - North Facade
1/8" = 1'-0"



Architect
JOE HAND
ShoP Architects

Structural Consultant
AMY HARRINGTON
Silman

Mechanical Consultant
CHRIS ASHTON
BuroHappold

Enclosure Consultant
AARON DAVIS
Heintges Consulting

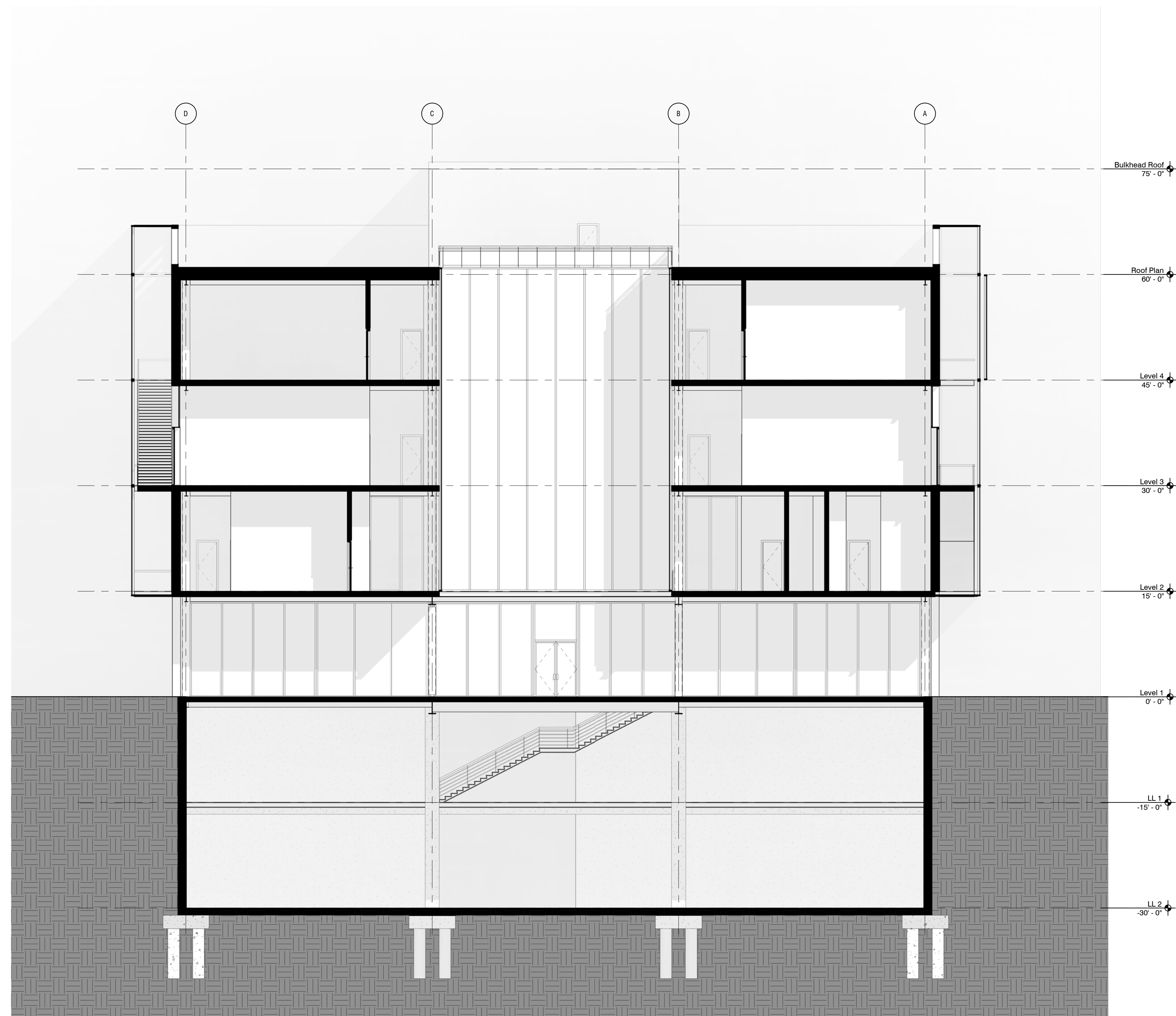
Designers
MARCUS CHAN
MICHAEL LAU
EMMA SUMROW
CEMRE TOKAT
MINGYUE ZHANG

NO.	DATE	REVISION
01	19 OCT 2021	SD SUBMISSION
02	14 DEC 2021	DD SUBMISSION

SECTION A

Project number	001
Date	14 DEC 2021
Scale	1/8" = 1'0"

A310



1 Section A
1/8" = 1'-0"

17/12/2021 1:26:13 pm



Architect
JOE HAND
ShoP Architects

Structural Consultant
AMY HARRINGTON
Silman

Mechanical Consultant
CHRIS ASHTON
BuroHappold

Enclosure Consultant
AARON DAVIS
Heintges Consulting

Designers
MARCUS CHAN
MICHAEL LAU
EMMA SUMROW
CEMRE TOKAT
MINGYUE ZHANG

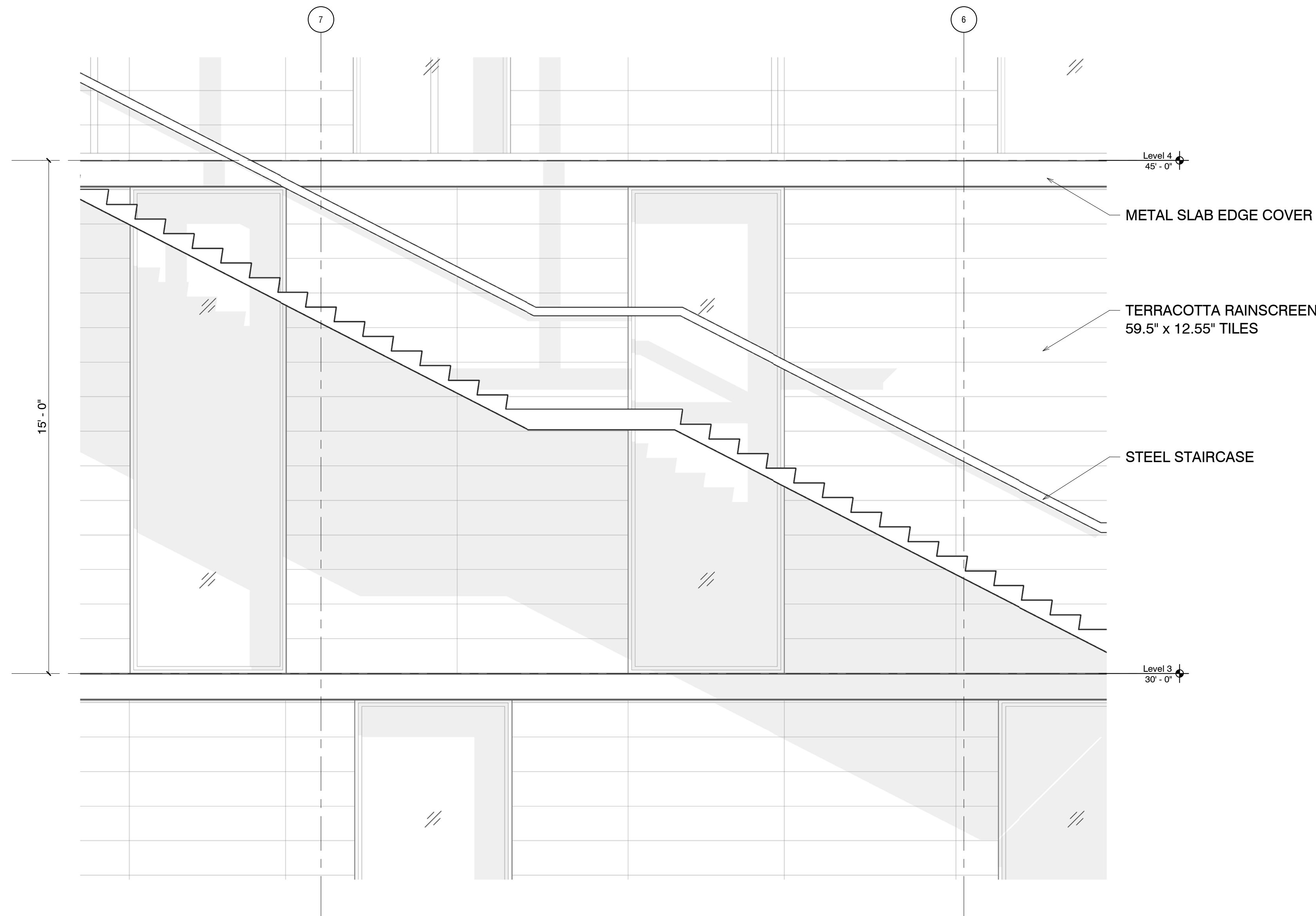
NO.	DATE	REVISION
01	19 OCT 2021	SD SUBMISSION
02	14 DEC 2021	DD SUBMISSION

SYSTEM 1 ROADMAP

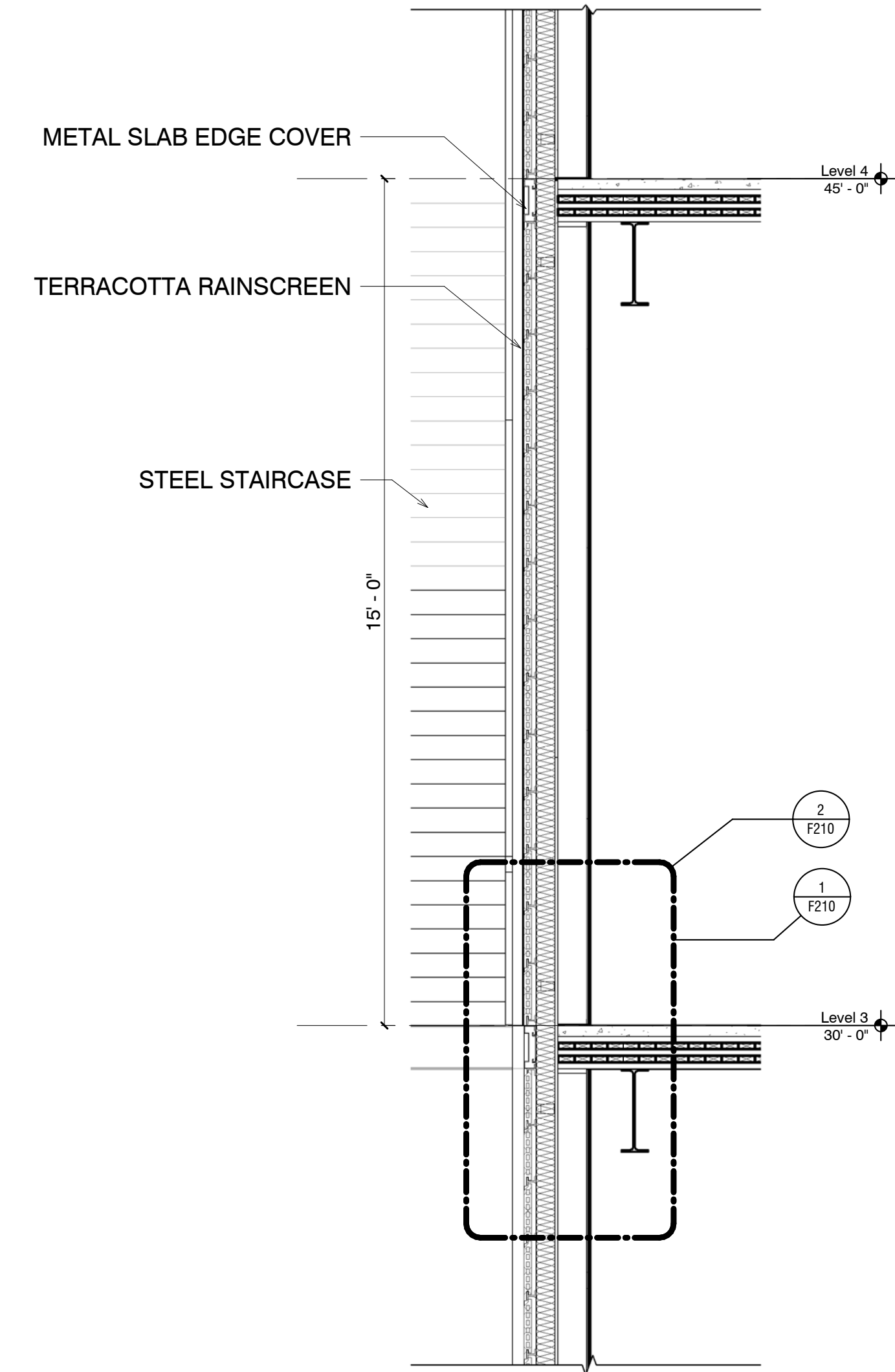
Project number	001
Date	14 DEC 2021
Scale	Author

F200

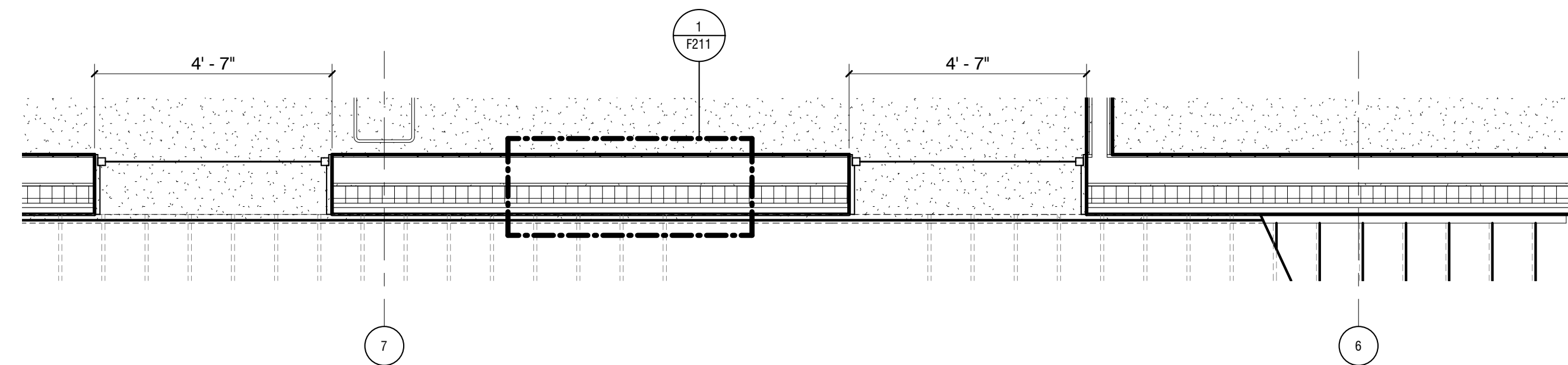
17/12/2021 4:42:56 am



1 WT-1 ELEVATION
1/2" = 1'-0"



2 WT-1 SECTION
1/2" = 1'-0"



3 WT-1 PLAN
1/2" = 1'-0"



Architect
JOE HAND
ShoP Architects

Structural Consultant
AMY HARRINGTON
Silman

Mechanical Consultant
CHRIS ASHTON
BuroHappold

Enclosure Consultant
AARON DAVIS
Heintges Consulting

Designers
MARCUS CHAN
MICHAEL LAU
EMMA SUMROW
CEMRE TOKAT
MINGYUE ZHANG

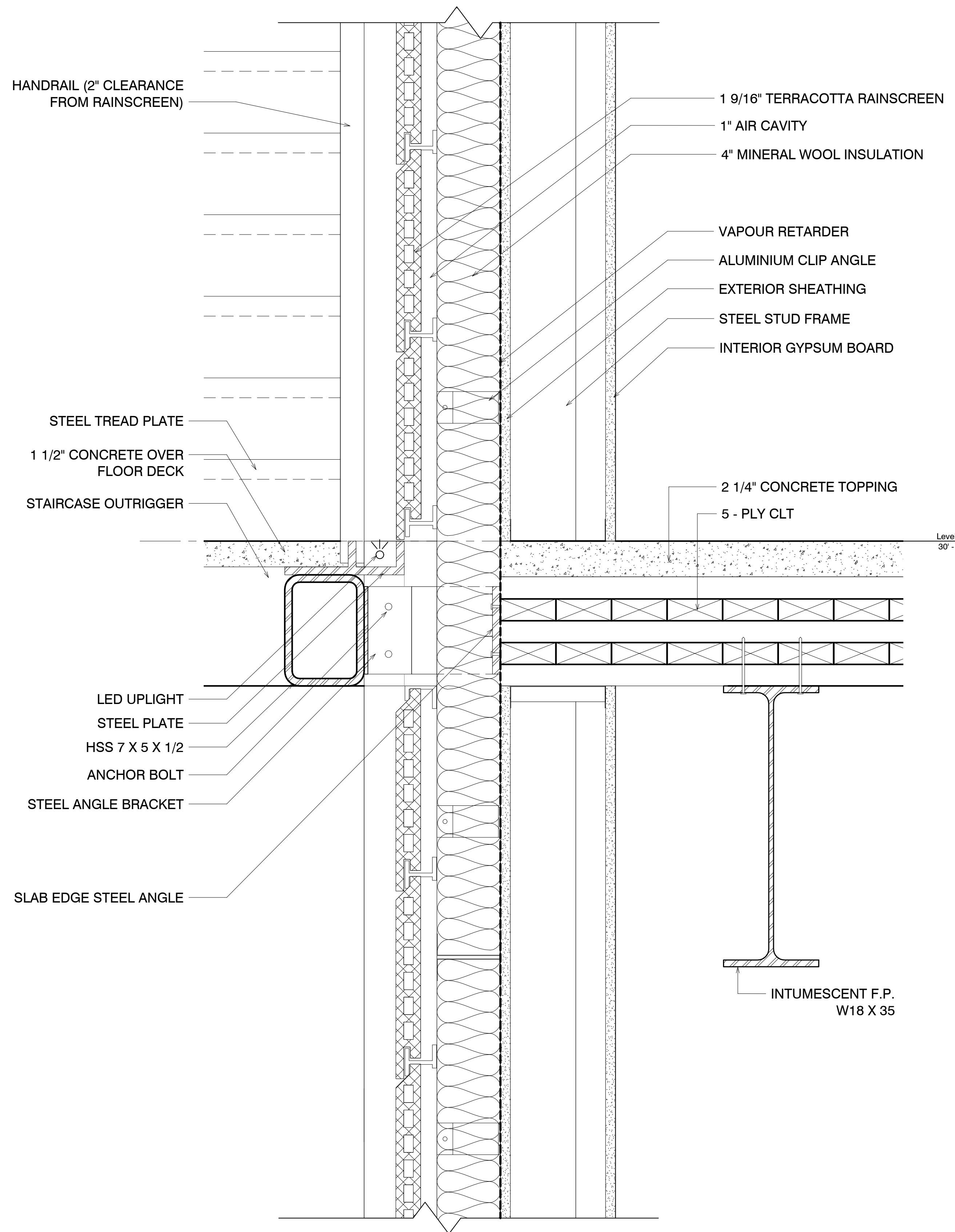
NO.	DATE	REVISION
01	19 OCT 2021	SD SUBMISSION
02	14 DEC 2021	DD SUBMISSION

SYSTEM 1 DETAILS

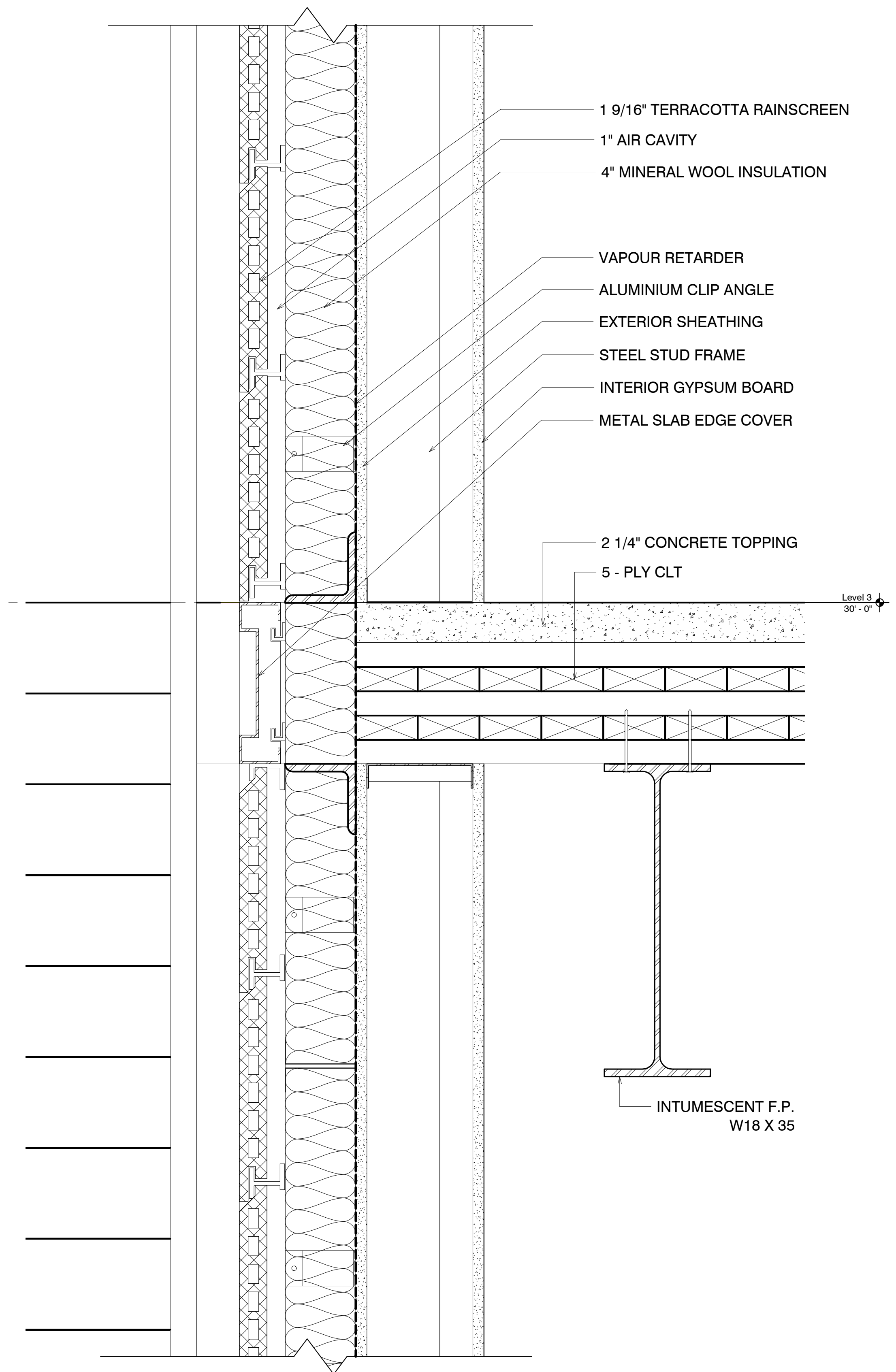
Project number	001
Date	14 DEC 2021
Scale	Author

F210

17/12/2021 4:40:02 am



1 TERRACOTTA RAINSCREEN & STAIRCASE - SECTION DETAIL
3" = 1'-0"



2 TERRACOTTA RAINSCREEN - SECTION DETAIL
3" = 1'-0"



Architect
JOE HAND
ShoP Architects

Structural Consultant
AMY HARRINGTON
Silman

Mechanical Consultant
CHRIS ASHTON
BuroHappold

Enclosure Consultant
AARON DAVIS
Heintges Consulting

Designers
MARCUS CHAN
MICHAEL LAU
EMMA SUMROW
CEMRE TOKAT
MINGYUE ZHANG

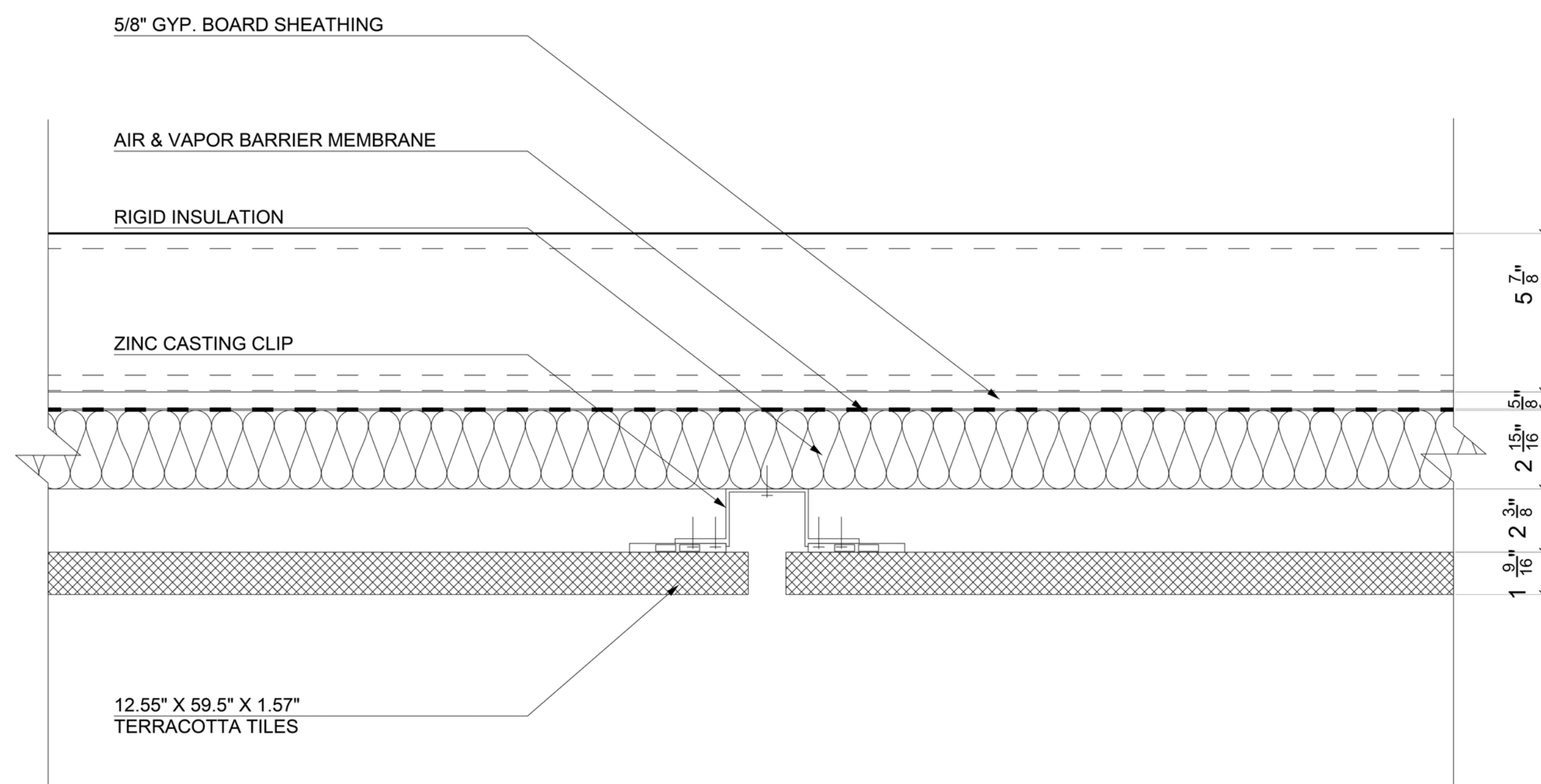
NO.	DATE	REVISION
01	19 OCT 2021	SD SUBMISSION
02	14 DEC 2021	DD SUBMISSION

**SYSTEM 1
DETAILS**

Project number	001
Date	14 DEC 2021
Scale	Author

F211

17/12/2021 4:40:07 am



1 TERRACOTTA RAINSCREEN - DETAIL PLAN
3" = 1'-0"



Architect
JOE HAND
ShoP Architects

Structural Consultant
AMY HARRINGTON
Silman

Mechanical Consultant
CHRIS ASHTON
BuroHappold

Enclosure Consultant
AARON DAVIS
Heintges Consulting

Designers
MARCUS CHAN
MICHAEL LAU
EMMA SUMROW
CEMRE TOKAT
MINGYUE ZHANG

NO.	DATE	REVISION
01	19 OCT 2021	SD SUBMISSION
02	14 DEC 2021	DD SUBMISSION

**SYSTEM 2
ROADMAP**

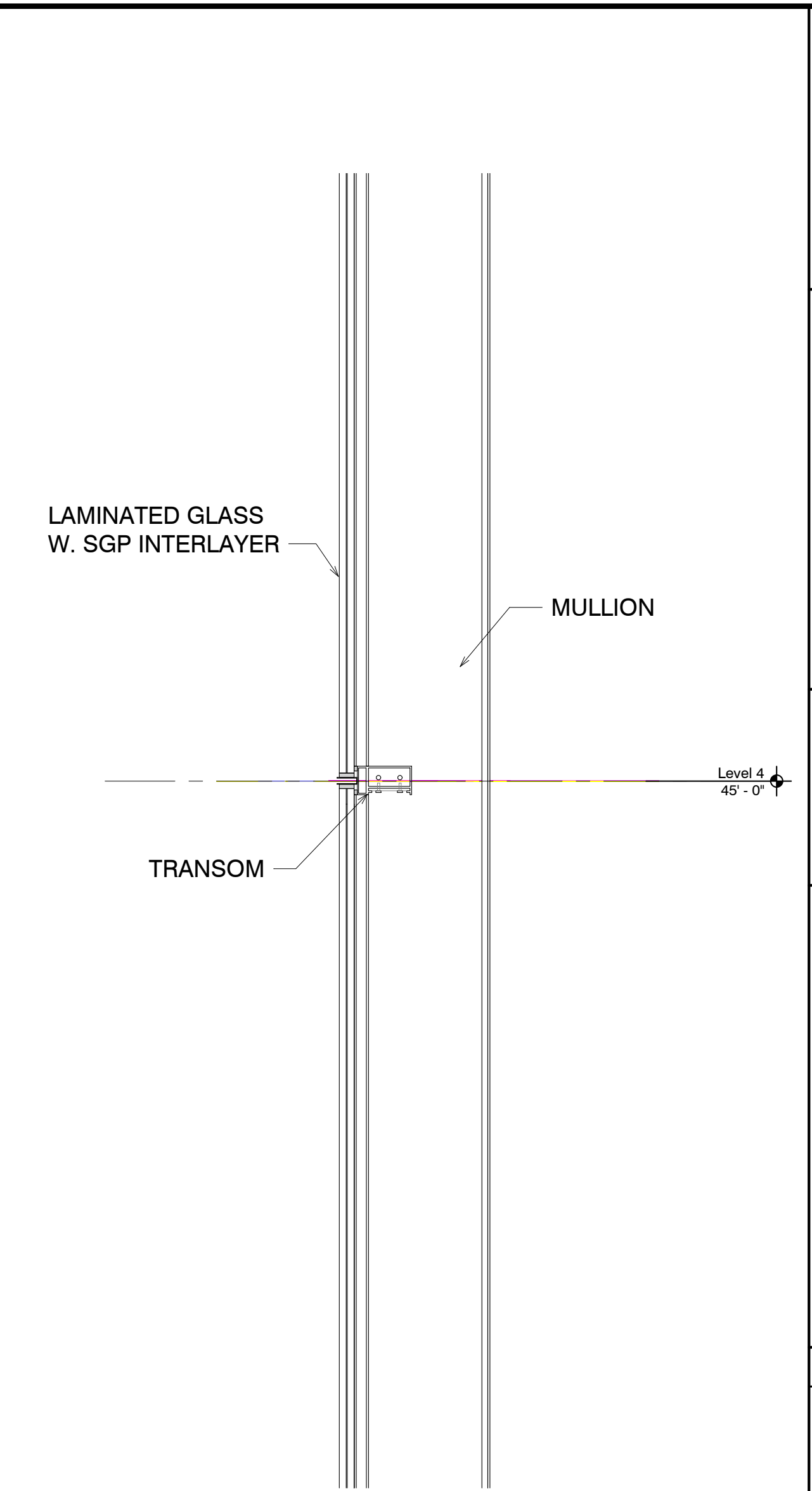
Project number	001
Date	14 DEC 2021
Scale	Author

F300

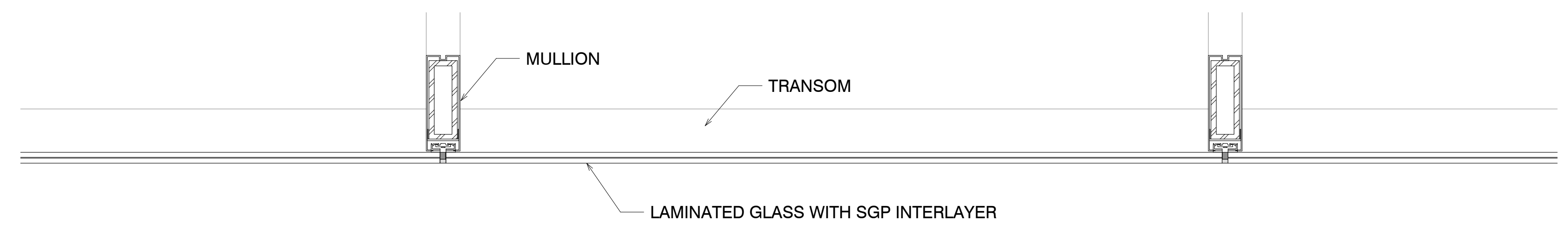
17/12/2021 4:40:11 am



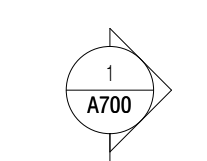
1 WT-2 ELEVATION
1" = 1'-0"



2 WT-2 SECTION
1" = 1'-0"



3 WT-2 PLAN
1" = 1'-0"





Architect
JOE HAND
ShoP Architects

Structural Consultant
AMY HARRINGTON
Silman

Mechanical Consultant
CHRIS ASHTON
BuroHappold

Enclosure Consultant
AARON DAVIS
Heintges Consulting

Designers
MARCUS CHAN
MICHAEL LAU
EMMA SUMROW
CEMRE TOKAT
MINGYUE ZHANG

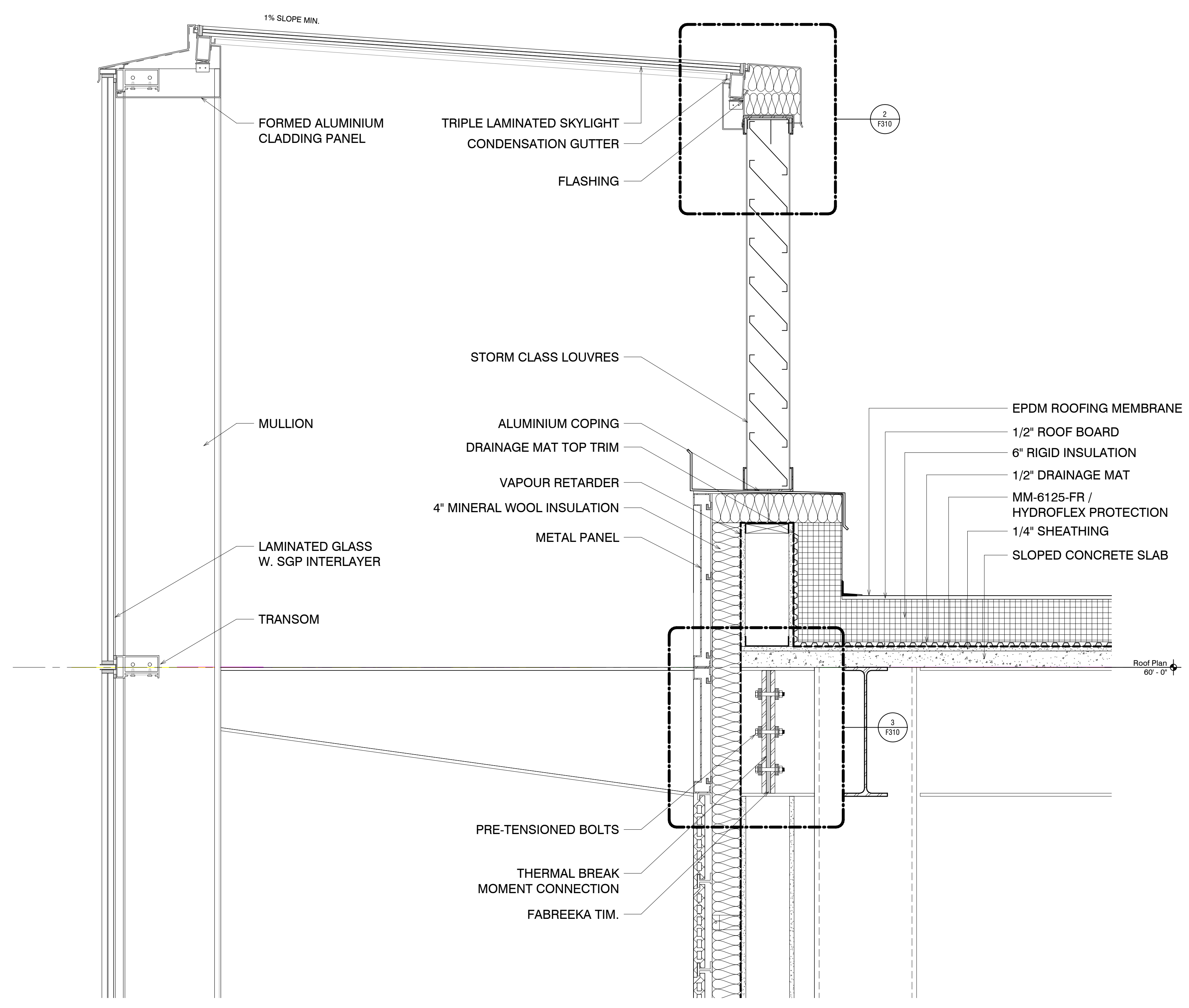
NO.	DATE	REVISION
01	19 OCT 2021	SD SUBMISSION
02	14 DEC 2021	DD SUBMISSION

SYSTEM 2 DETAILS

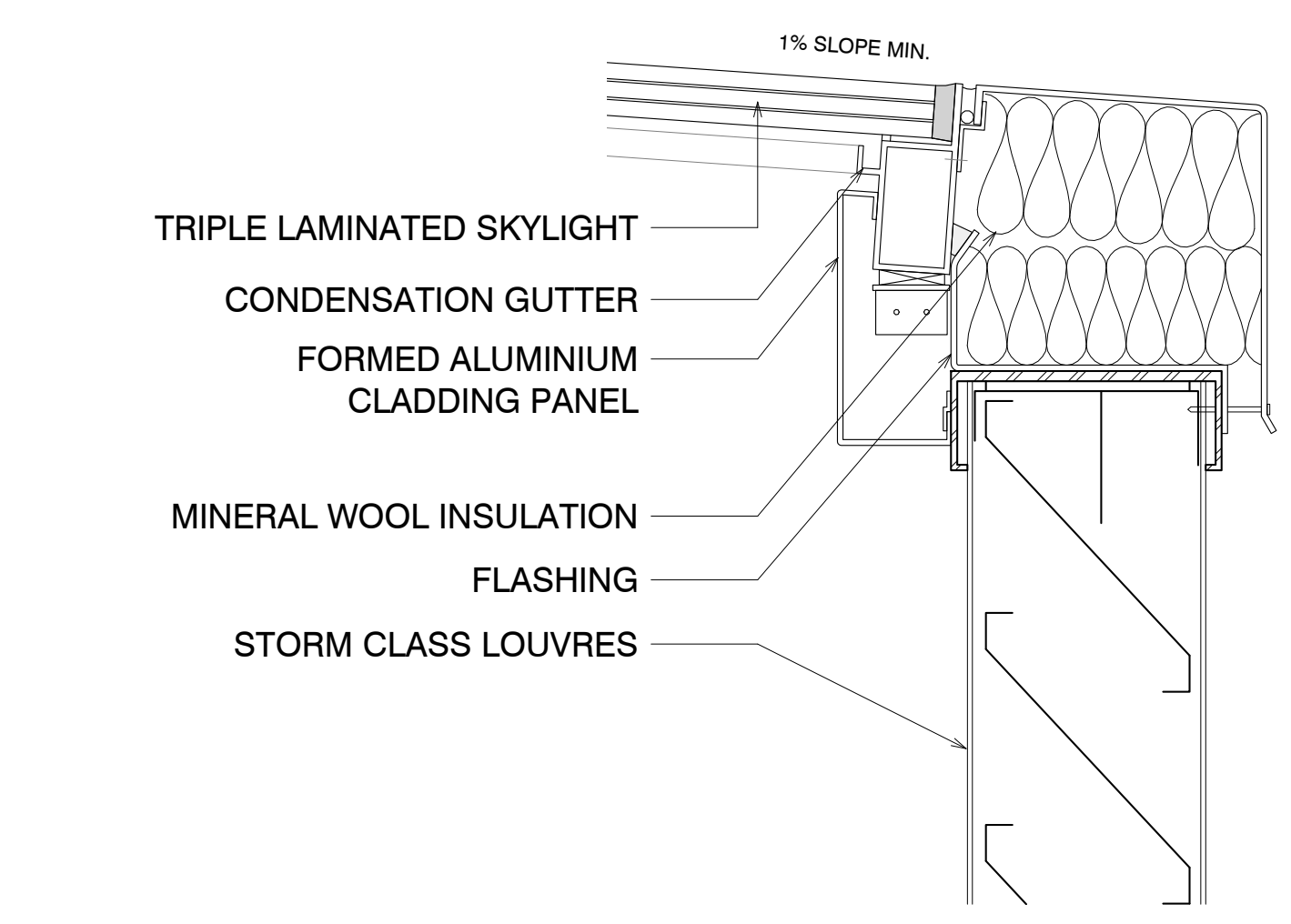
Project number	001
Date	14 DEC 2021
Scale	Author

F310

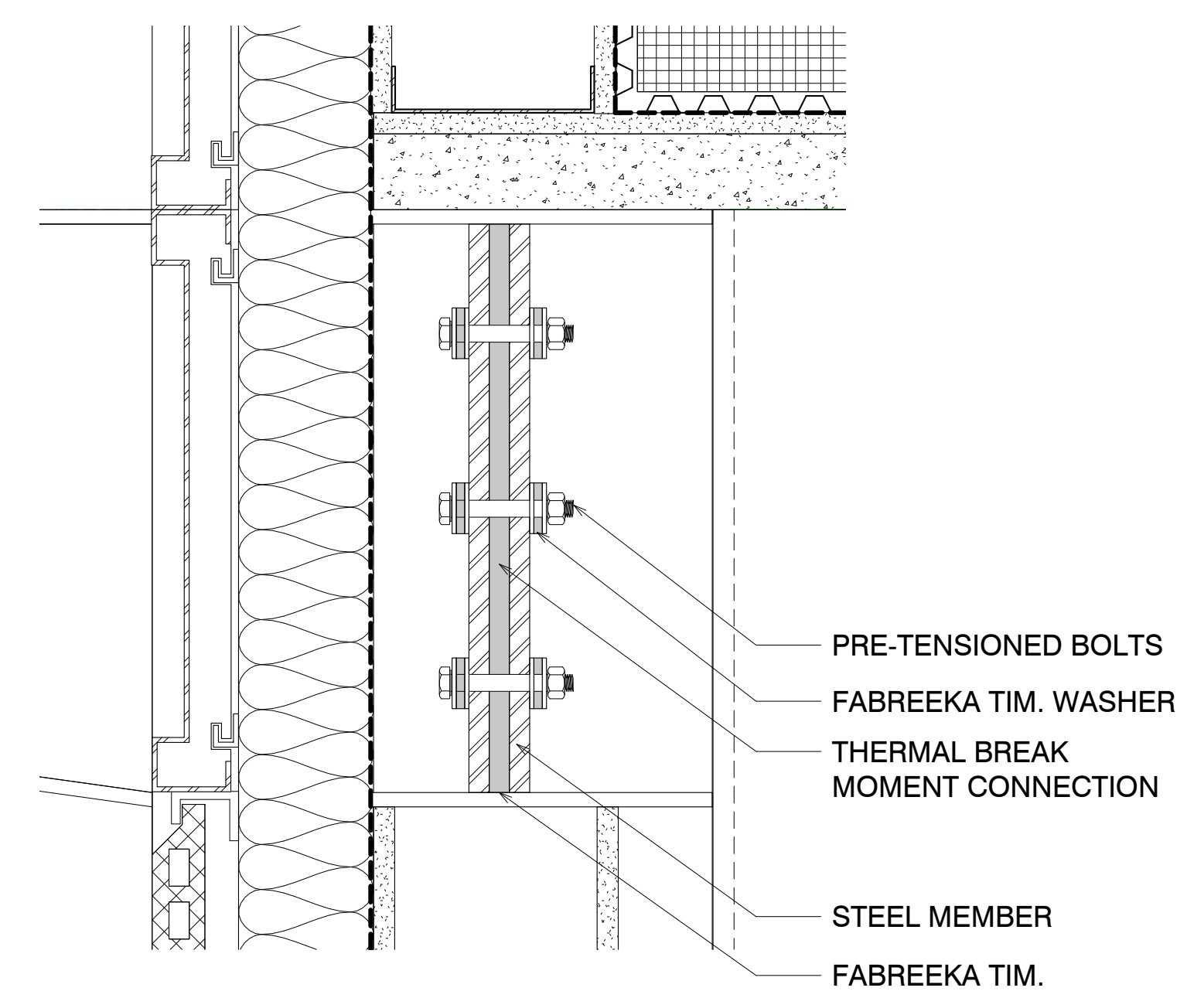
17/12/2021 4:40:14 am



1 DOUBLE SKINNED CURTAIN WALL - PARAPET DETAIL SECTION
1 1/2" = 1'-0"



2 SKYLIGHT - LOUVRE INTERFACE DETAIL
3" = 1'-0"



3 STRUCTURAL THERMAL BREAK DETAIL
3" = 1'-0"



Architect
JOE HAND
ShoP Architects

Structural Consultant
AMY HARRINGTON
Silman

Mechanical Consultant
CHRIS ASHTON
BuroHappold

Enclosure Consultant
AARON DAVIS
Heintges Consulting

Designers
MARCUS CHAN
MICHAEL LAU
EMMA SUMROW
CEMRE TOKAT
MINGYUE ZHANG

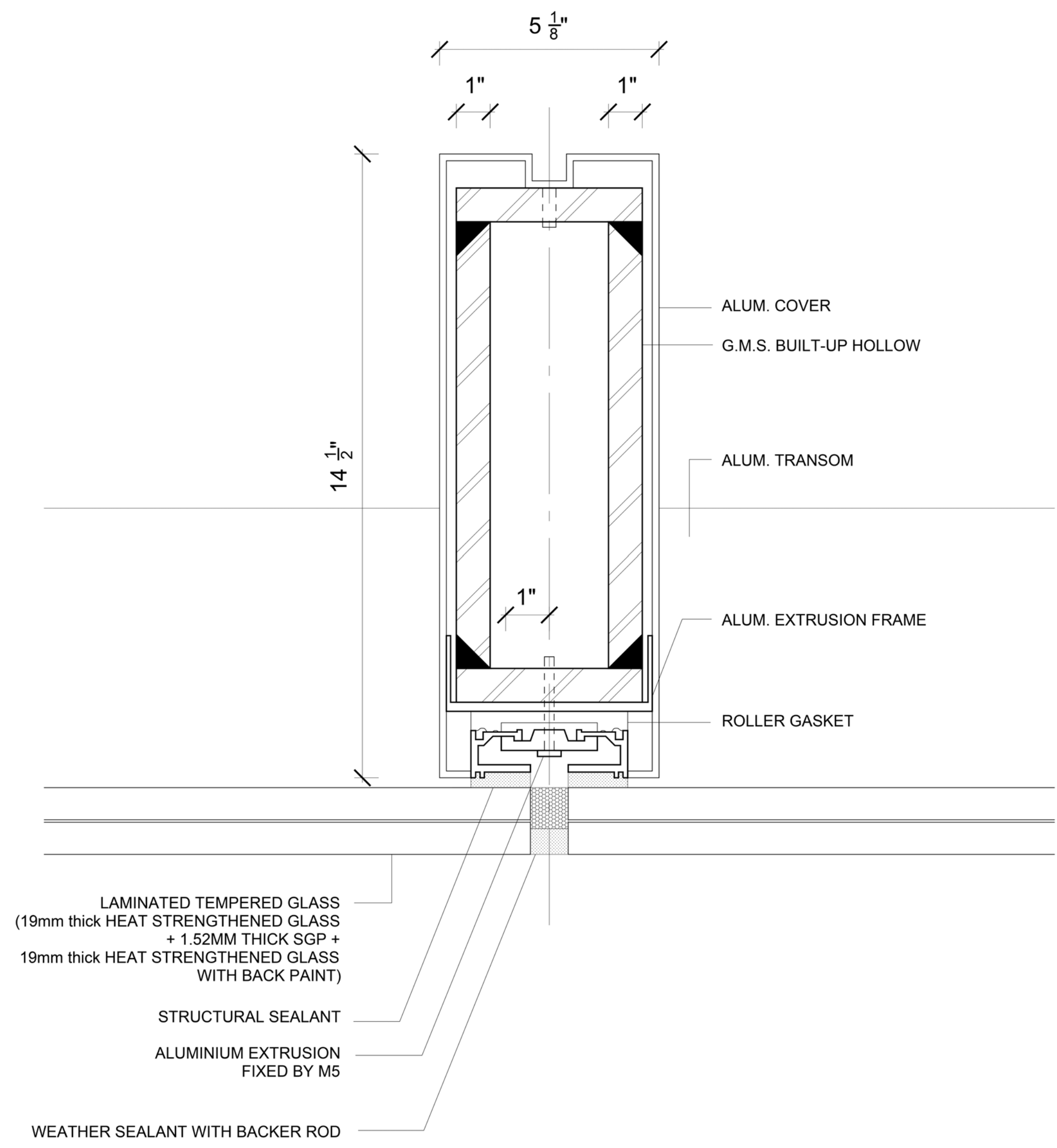
NO.	DATE	REVISION
01	19 OCT 2021	SD SUBMISSION
02	14 DEC 2021	DD SUBMISSION

SYSTEM 2 DETAILS

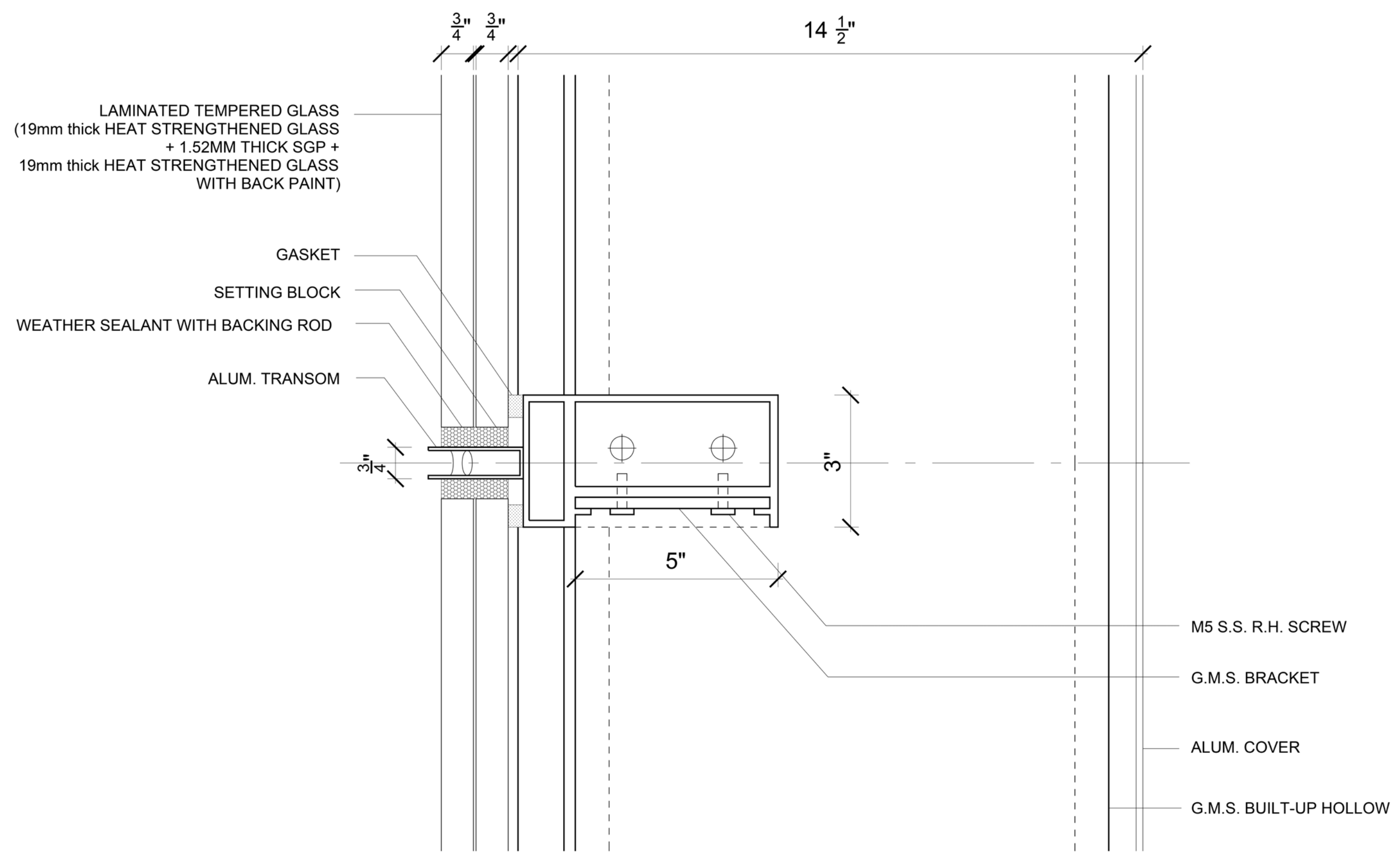
Project number	001
Date	14 DEC 2021
Scale	Author

F311

17/12/2021 4:40:22 am



1 MULLION DETAIL PLAN
6" = 1'-0"



2 MULLION DETAIL SECTION
6" = 1'-0"



Architect
JOE HAND
SHoP Architects

Structural Consultant
AMY HARRINGTON
Silman

Mechanical Consultant
CHRIS ASHTON
BuroHappold

Enclosure Consultant
AARON DAVIS
Heintges Consulting

Designers
MARCUS CHAN
MICHAEL LAU
EMMA SUMROW
CEMRE TOKAT
MINGYUE ZHANG

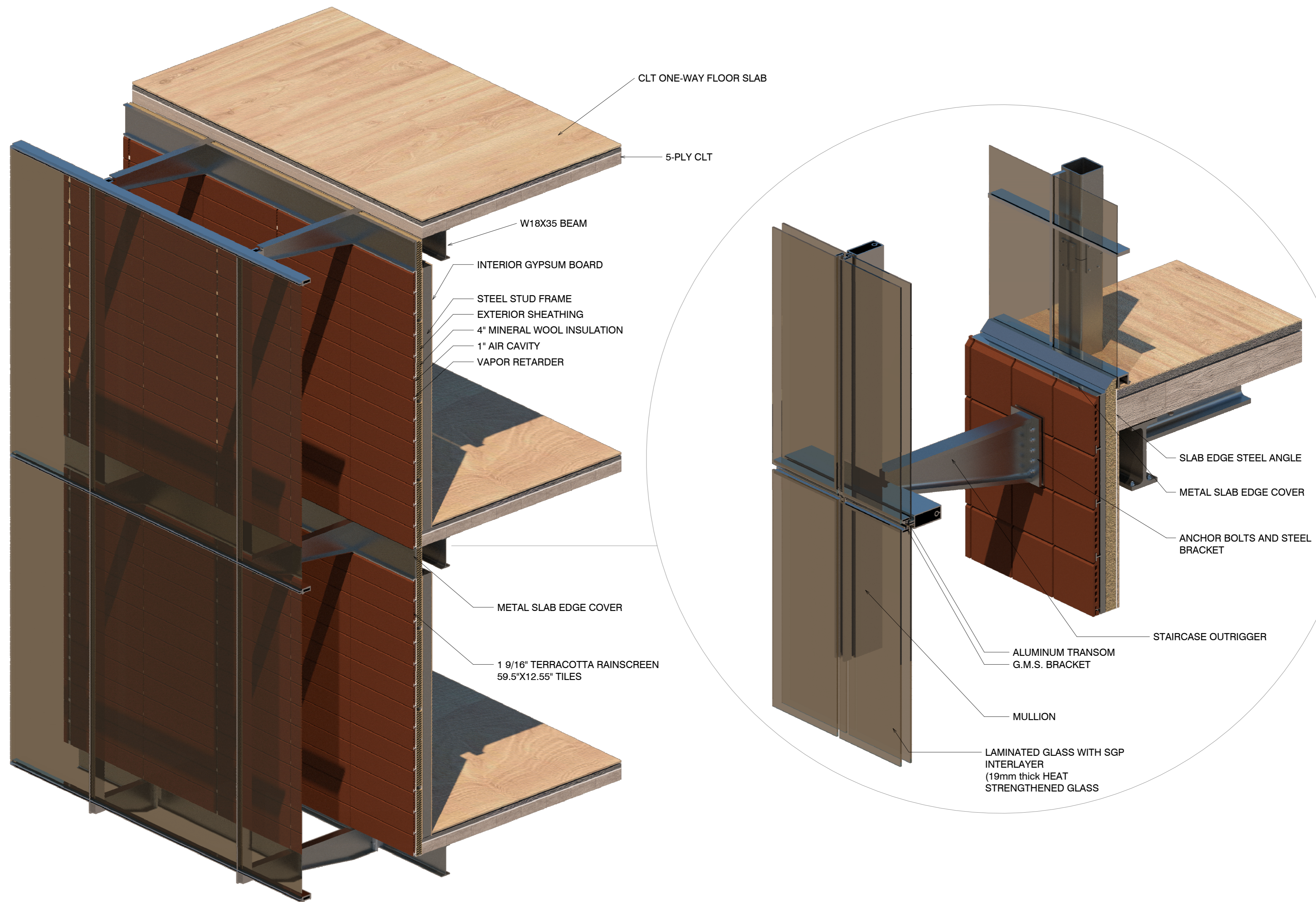
NO.	DATE	REVISION
01	19 OCT 2021	SD SUBMISSION
02	14 DEC 2021	DD SUBMISSION

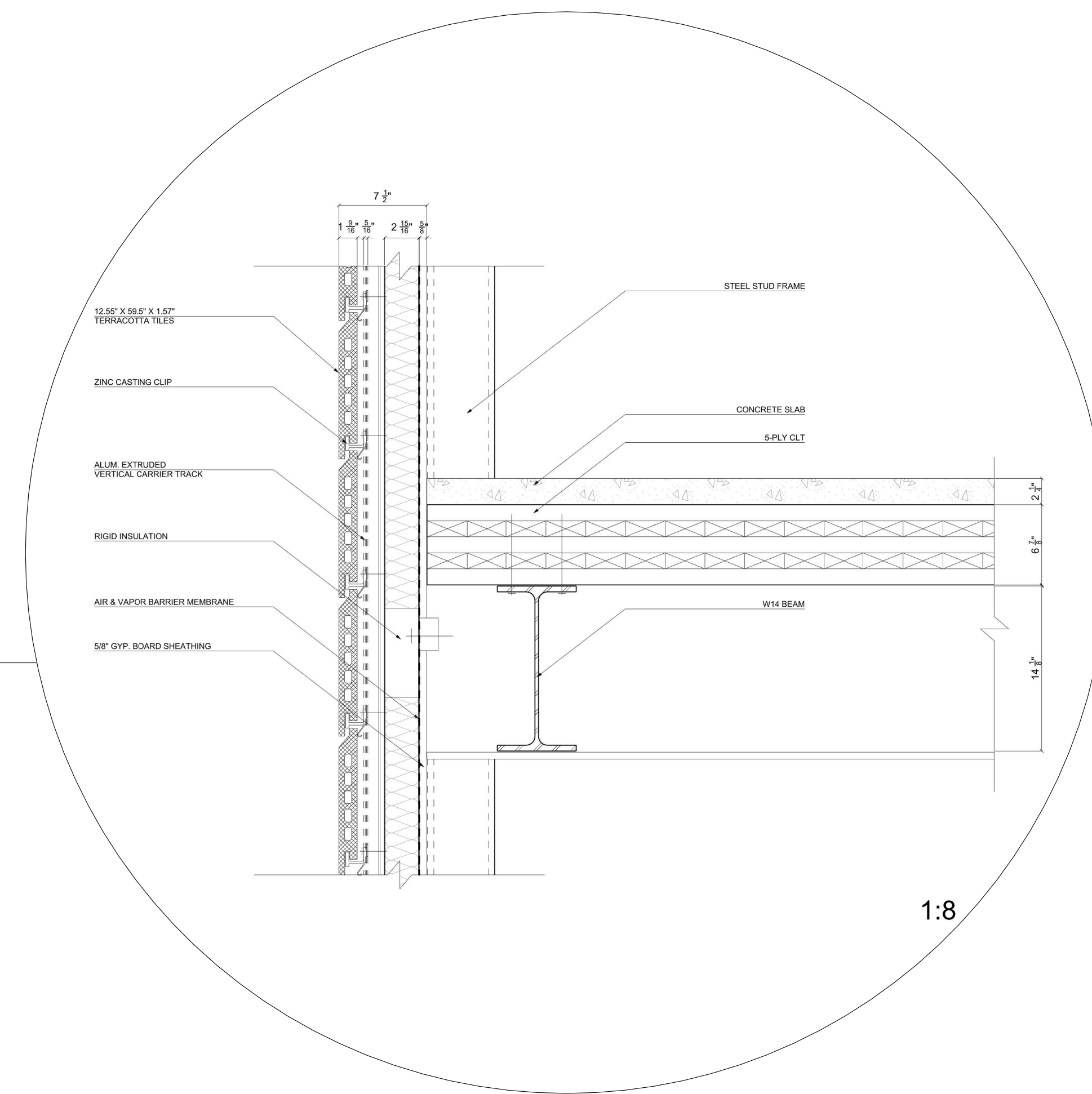
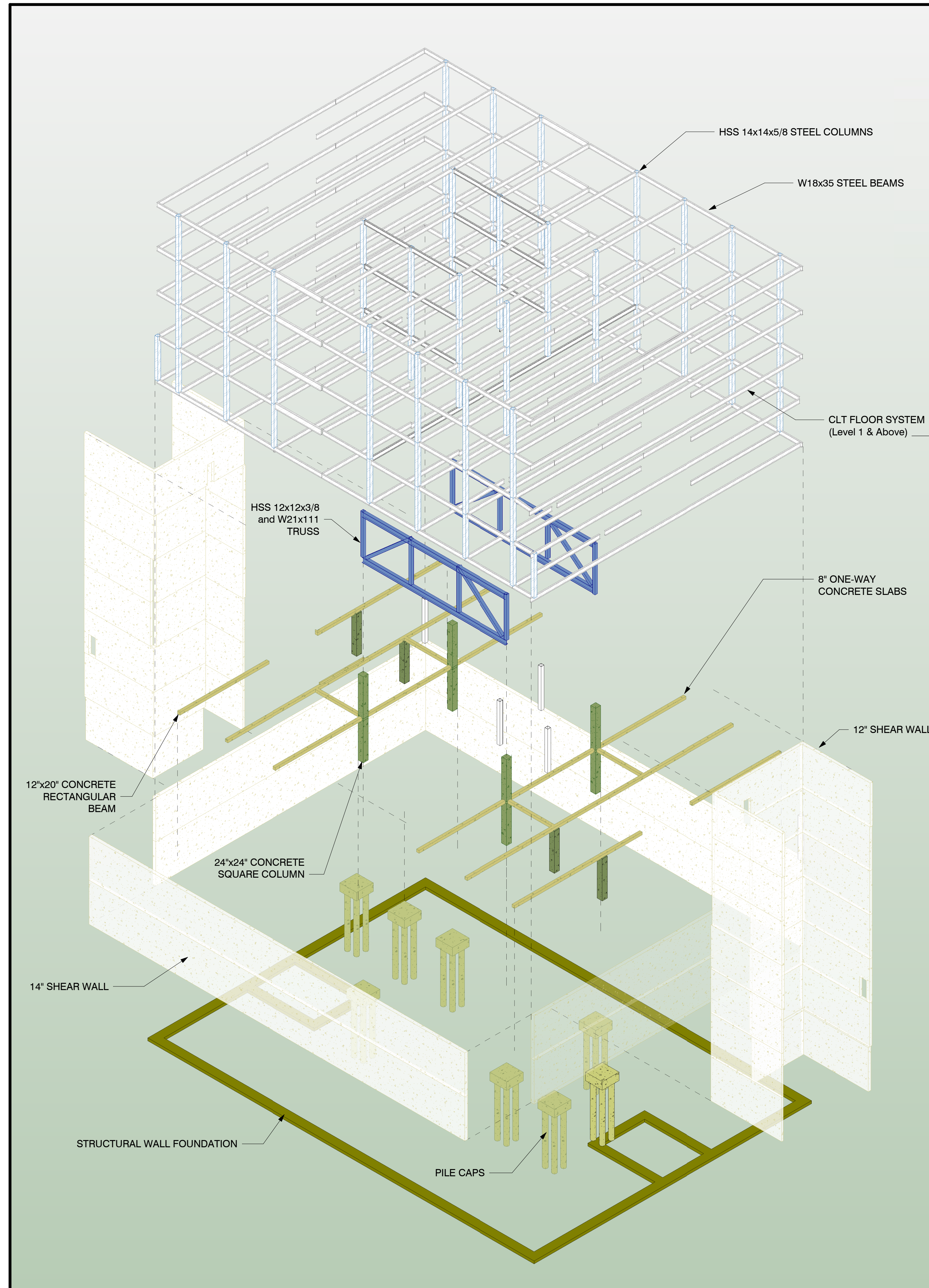
3D SYSTEMS DETAILS

Project number	001
Date	14 DEC 2021
Scale	Author

F312

12/17/2021 9:16:57 PM





Architect
JOE HAND
ShoP Architects

Structural Consultant
AMY HARRINGTON
Silman

Mechanical Consultant
CHRIS ASHTON
BuroHappold

Enclosure Consultant
AARON DAVIS
Heintges Consulting

Designers
MARCUS CHAN
MICHAEL LAU
EMMA SUMROW
CEMRE TOKAT
MINGYUE ZHANG

NO.	DATE	REVISION
01	19 OCT 2021	SD SUBMISSION
02	14 DEC 2021	DD SUBMISSION

**3D
STRUCTURAL
CONCEPT**



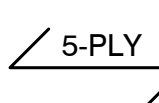
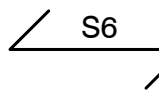
Project number	001
Date	14 DEC 2021
Scale	

S100

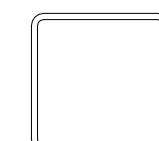
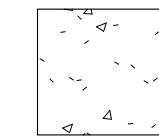
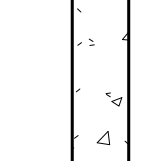
12/17/2021 9:17:56 PM

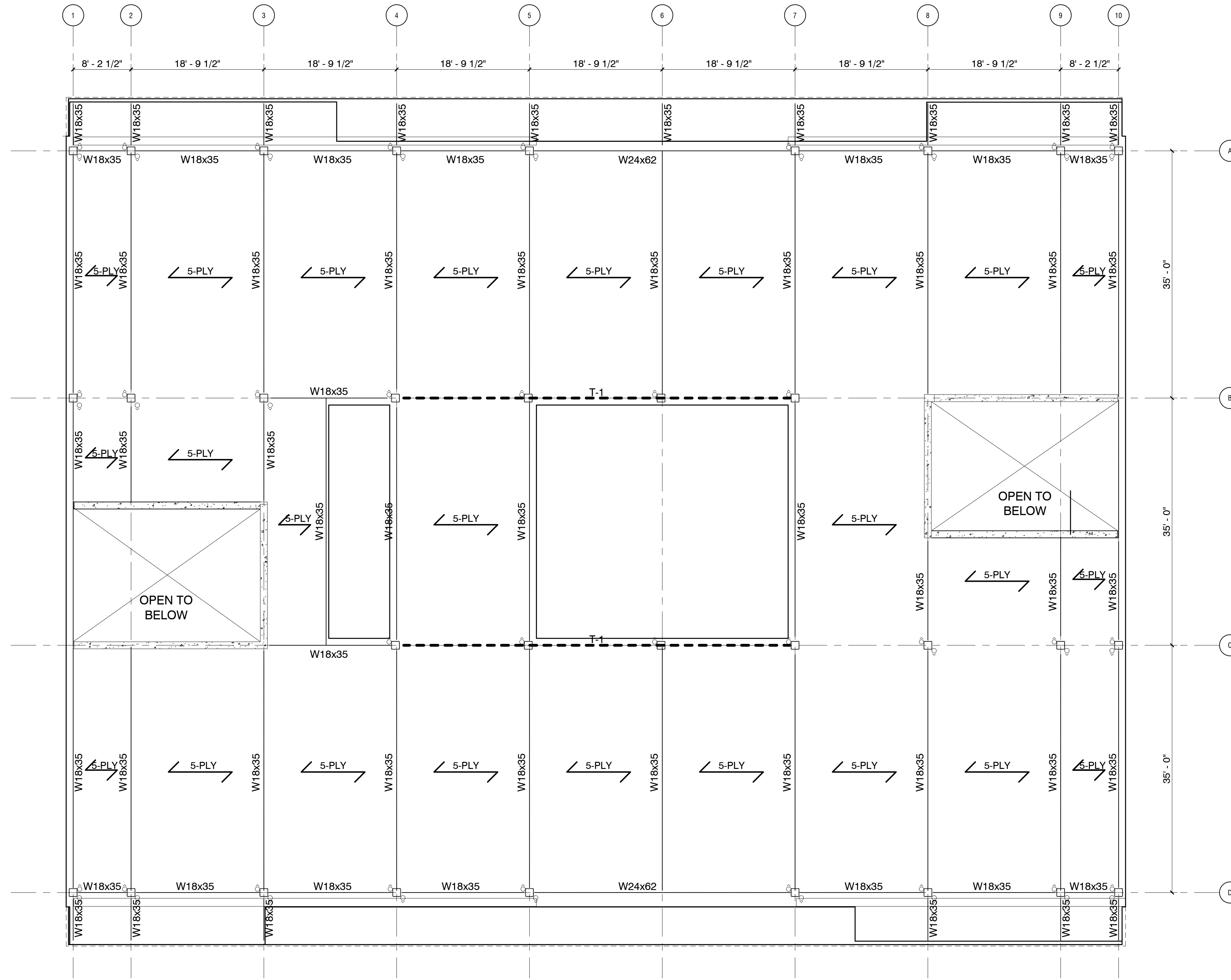
LEGEND

Symbols + Notations

-  COLUMN ABOVE
-  COLUMN BELOW
-  ONE-WAY 5-PLY CLT FLOOR PANEL
-  6" CONCRETE SLAB

Structural Members

-  HSS COLUMN
-  24"x24" CONCRETE COLUMN
-  12" CONCRETE STRUCTURAL WALL



1 Level 2
1/8" = 1'-0"



Architect
JOE HAND
ShoP Architects

Structural Consultant
AMY HARRINGTON
Siman

Mechanical Consultant
CHRIS ASHTON
BuroHappold

Enclosure Consultant
AARON DAVIS
Heintges Consulting

Designers
MARCUS CHAN
MICHAEL LAU
EMMA SUMROW
CEMRE TOKAT
MINGYUE ZHANG

NO.	DATE	REVISION
01	19 OCT 2021	SD SUBMISSION
02	14 DEC 2021	DD SUBMISSION

STRUCTURAL PLAN - LEVEL 2

Project number	001
Date	14 DEC 2021
Scale	Author

S104

12/17/2021 9:18:00 PM